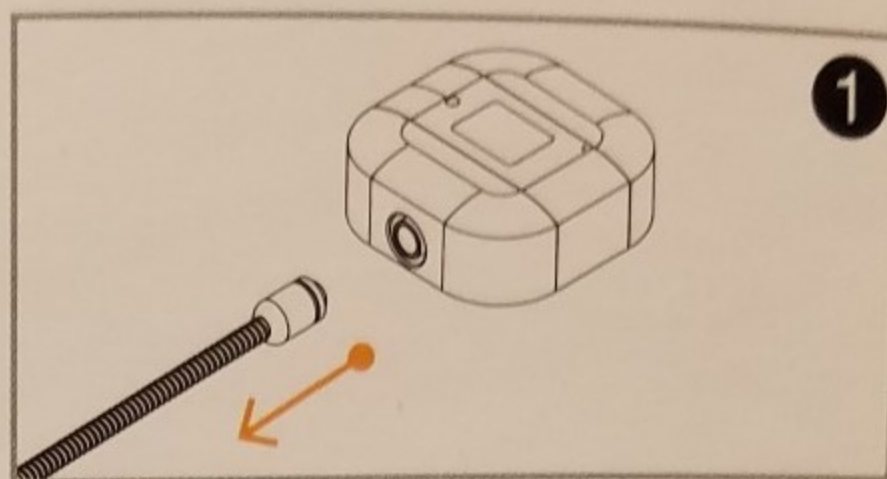


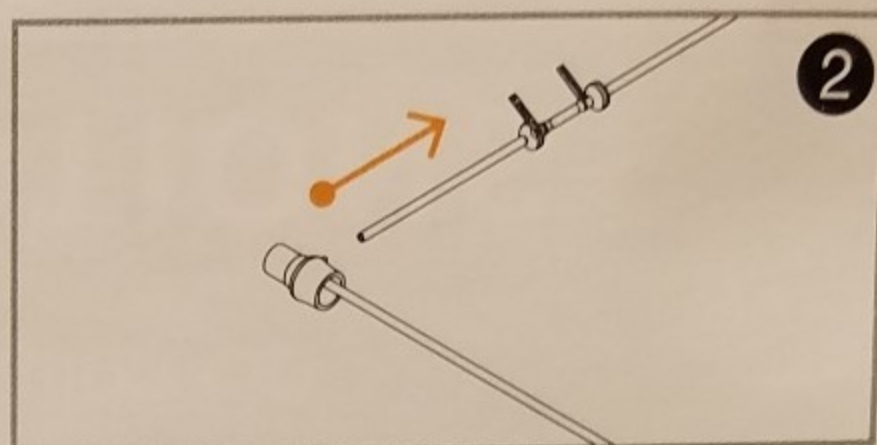
SoClean Adapter for DreamStation Go

Connecting the Adapter

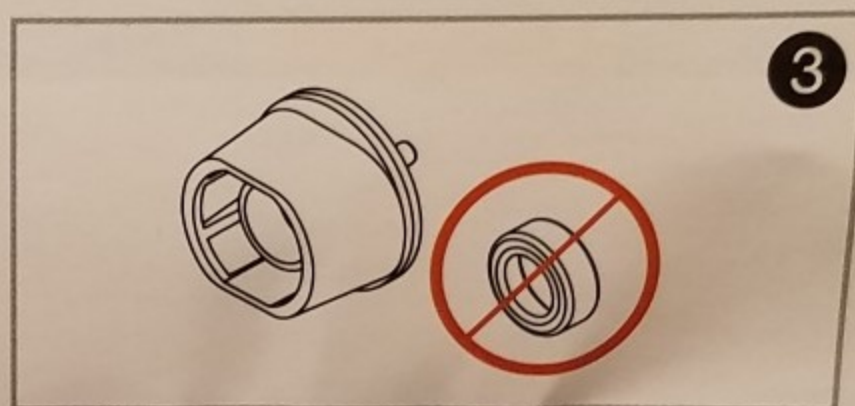
1. Disconnect your CPAP hose from your Phillips Respironics DreamStation Go.



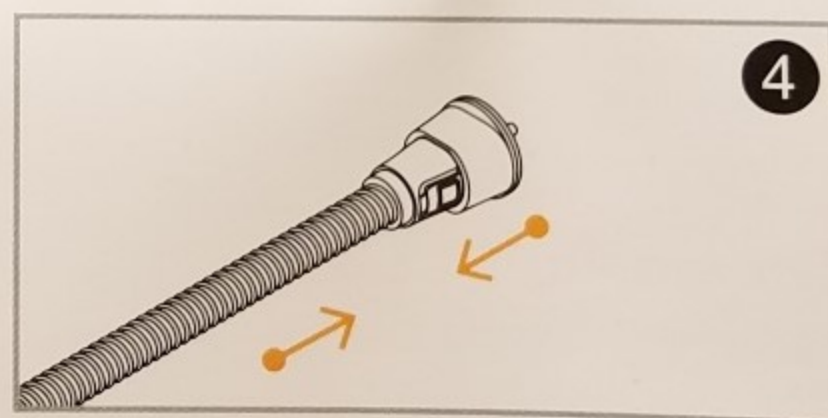
2. Remove the injection fitting and short hose from the main SoClean hose. You will not use the injection fitting and short hose for this CPAP machine. Save these parts in case you need them in the future.



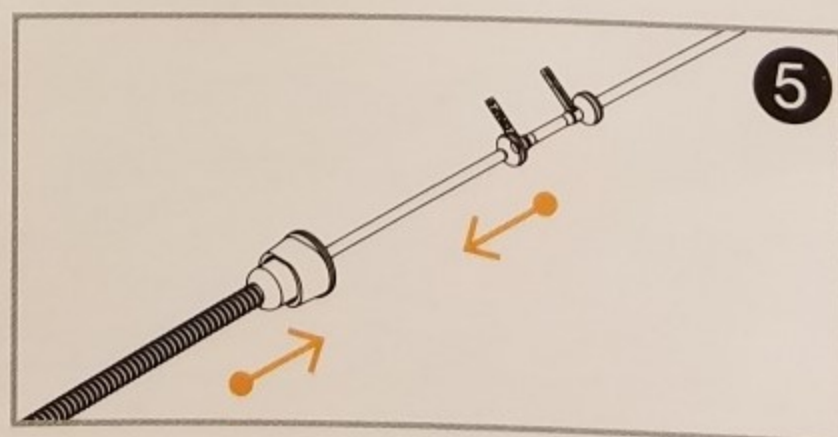
3. Inside the adapter packaging you will see three small, rubber gaskets along with the adapter. You can remove the rubber gaskets as you will not need them for this CPAP machine.



4. Attach the adapter to the CPAP hose.



5. Connect the injection hose from the SoClean to the adapter. You are now ready to use the SoClean.



6. Once the sanitizing cycle is complete and you are ready to use your DreamStation Go CPAP, please remove the adapter from your CPAP hose and reconnect your CPAP hose to the CPAP device.

