



Respironics Inc.
175 Chastain Meadows Ct
Kennesaw, GA 30144 USA



REF 1065704

1070161
DSF 12/11/09

USER MANUAL
MANUEL DE L'UTILISATEUR
MANUAL DEL USUARIO

UltraFill

Table of Contents

Introduction	3
How the System Works.....	7
Troubleshooting Guide	19
Cleaning and Maintenance	22
Transporting the UltraFill System.....	22
Specifications.....	23
EMC Information.....	25
Limited Warranty	27

Symbol Key



Follow Instructions For Use



Keep Away From Open Flames



Keep Well Ventilated



Keep Away From Electrical Appliances



No Smoking



Keep Away From Oil Or Grease



AC Power



Keep Unit Upright



Type B Applied Part



Class II Device



CAUTION: US federal law restricts this device to sale by or on the order of a physician.

IPX1

Drip Proof Equipment



System warning



System fault



Follow instructions for maintaining stability of the equipment.

Definitions

The following definitions and acronyms are used in this manual:

- lpm liters per minute
- dBA decibels
- CGA Compressed Gas Association
- OPI Oxygen Percent Indicator
- OCD Oxygen Conserving Device
- CF Continuous Flow

INTRODUCTION

Intended Use

The intended use of the UltraFill System is to provide supplemental oxygen to patients and to supply pressurized oxygen to fill cylinders for the patients' personal ambulatory use. The device is not intended to be life supporting or life sustaining.

Device Description

The UltraFill System is comprised of an oxygen filling station, a compatible oxygen concentrator, one or more oxygen cylinder(s) and an oxygen conserving device or regulator.

While the UltraFill is filling a cylinder, a 5-liter concentrator will provide patient flow up to a maximum of 3 lpm and fill the cylinder continuously. The UltraFill cannot be used with a 5-liter concentrator when the required patient flow is greater than 3 lpm. When the required patient flow is greater than 3 lpm, the Millennium M10 concentrator will provide flow up to a maximum of 7 lpm.

Warnings & Cautions

CAUTION: US federal law restricts this device to sale by or on the order of a physician.

Warnings

- If while using the system you experience any discomfort or signs of any unusual physical symptoms, contact your physician immediately.
- Oxygen can promote rapid burning when exposed to an open flame. Do not allow any smoking objects or open flames near this unit.
- Do not use any oil, grease, or petroleum-based products on or near this unit.
- Do not smoke while the device is in use.
- Protect the device against the spillage of fluids on or around it. Do not place drinks on it. Do not allow fluids to come in contact with the device. If fluids do come in contact with the device, contact your service representative.
- Do not set any objects on, or allow to be draped over, the UltraFill Station as they might block air flow into the device. Place the unit in a ventilated location with the sides and rear two feet away from any object.
- Do not allow minors or children to operate the UltraFill System. Do not allow unsupervised children to play on or near the device.
- To prevent an accidental tip over, do not attempt to move the UltraFill when it is connected to a cylinder.

- Do not use the UltraFill System if either the plug or power cord is damaged. Do not use an extension cord with the UltraFill System.
- Do not connect the UltraFill System to an electrical outlet controlled by a wall switch or ground fault interruptor. Make sure there is no other high power device such as a TV, stereo, computer, radio transmitter, space heater, hair dryer, refrigerator, microwave oven, electrical range, or other large appliance connected to this outlet.
- Electrical shock hazard: Do not remove the cabinet of the UltraFill Station. The removal of the cabinet should only be performed by Respironics, Inc. or a trained representative.
- Disconnect the power cord from the electrical outlet before cleaning the housing of the UltraFill Station.
- This equipment complies with IEC 60601-1-2 for electromagnetic compatibility for medical electrical equipment and/or systems. This standard is designed to provide reasonable protection against harmful interference in a typical medical installation. However, because of the proliferation of radio-frequency transmitting equipment and other sources of electrical noise in health care and other environments, it is possible that high levels of such interference due to close proximity or strength of a source might disrupt the performance of this device. Medical electrical equipment needs special precautions regarding EMC, and all equipment must be installed and put into service according to the EMC information specified in this manual.
- Take precautions to prevent electrostatic discharge (ESD). Precautionary procedures include methods to prevent buildup of electrostatic discharge (e.g., air conditioning, humidification, conductive floor coverings, and non-synthetic clothing), discharging one's body to the frame of the equipment or system or to earth or a large metal object, and bonding oneself by means of a wrist strap to the equipment or system, or to earth.
- All cylinders must be inspected before attempting to fill. Otherwise, injury or damage may occur.
- Do not fill cylinders that have not been tested in the past 5 years. Otherwise, serious personal injury may result. Contact your dealer for replacement.
- Never use tools of any kind to disconnect the cylinder from the UltraFill Station. Otherwise, severe injury and/or damage may occur.
- Do not drop oxygen cylinders. Use two hands when handling/transporting oxygen cylinders. Otherwise, injury or damage may occur.
- Do not use a liquid leak detector to test for leaks.
- Do not direct the flow of oxygen at any person or flammable material when adjusting the flow.
- When the pointer on the cylinder contents gauge enters the red zone, it is recommended to refill the cylinder.
- No oxygen is delivered between cylinder settings. To obtain desired flow, the indicating pointer must align with a specific number on the dial.
- To avoid injury to the patient, always confirm prescribed setting before administering to the patient.

Cautions

- Do not use cleaning solutions.
- Do not immerse the cylinders in any kind of liquid.

Additional warnings, cautions and notes are located throughout this manual.

Compatibility with Oxygen Devices

The UltraFill Home Oxygen Filling Station is compatible with the following devices:

Concentrators

Respironics EverFlo Stationary Oxygen Concentrator

Respironics EverFlo Q Stationary Oxygen Concentrator

Respironics Millennium M600 and M605 Series Concentrator

Respironics Millennium M10 Concentrator

Cylinders

Respironics UltraFill 2000 PSI (135 bar) Oxygen Cylinders:

- M4
- M6
- M9
- MD15
- ME24

Respironics UltraFill 3000 PSI (200 bar) Oxygen Cylinders:

- MB08
- MC13
- MD22
- ME36

Oxygen Conserving Devices and Regulators

- CHAD Therapeutics Bonsai®
- CHAD Therapeutics 4800 Regulator
- CHAD Therapeutics 3100 Regulator
- CHAD Therapeutics 3100 Pediatric Regulator

Note: UltraFill 2000 psi (135 bar) and 3000 psi (200 bar) cylinders are equipped to connect to any CGA-870 compatible conserving devices and regulators. It is important to ensure the conserving device or regulator has been designed, manufactured, and tested for use at the pressure rating of the cylinder. The CHAD Therapeutics 3100 Regulator and Bonsai Conserving Device offered by Respironics have been designed, manufactured and tested for use on both 2000 psi (135 bar) and 3000 psi (200 bar) cylinders.

Accessories

- Cylinder Carry Bag (Small: M9/MC13; Medium: M4/M6/MB08; Large: MD15/MD22)
- Cylinder Carry Cart (For Cylinder Sizes: MD15/MD22/ME24/ME36)
- Cylinders
 - » 2000 PSI (135 bar): M4, M6, M9, MD15, ME24
 - » 3000 PSI (200 bar): MB08, MC13, MD22, ME36
- CHAD Therapeutics Bonsai
- CHAD Therapeutics 4800 Regulator
- CHAD Therapeutics 3100 Regulator
- CHAD Therapeutics 3100 Pediatric Regulator

How to Contact Respironics

To have your device serviced, contact your home care provider. If you need to contact Respironics directly, call the Respironics Customer Service department at 1-800-345-6443 (US and Canada only) or 1-724-387-4000. You can also use the following address:

Respironics, Inc.
1001 Murry Ridge Lane
Murrysville, PA 15668 USA

HOW THE SYSTEM WORKS

The UltraFill Home Oxygen Filling Station fills Respirationics oxygen cylinders with gaseous oxygen supplied from an oxygen concentrator.

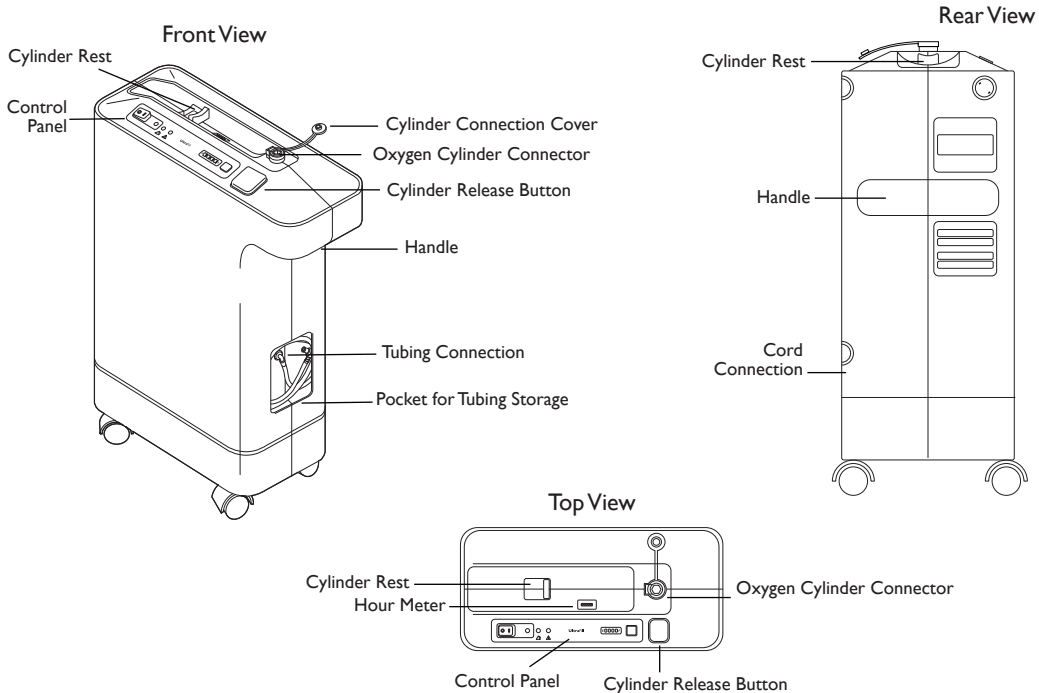
The UltraFill Station is attached to the concentrator via a pneumatic tube. The oxygen concentrator takes room air and feeds oxygen enriched air to the UltraFill. The UltraFill compresses oxygen into a cylinder at a very high pressure. This cylinder can then be used for ambulatory oxygen. While the cylinder is filling you can continue to breathe from a 5-liter concentrator at flow rates up to 3 LPM and a 10-liter concentrator at flow rates up to 7 LPM.

The UltraFill Station is only used for filling a cylinder. You cannot breathe oxygen gas directly from it. This device is not intended to be life supporting or life sustaining.

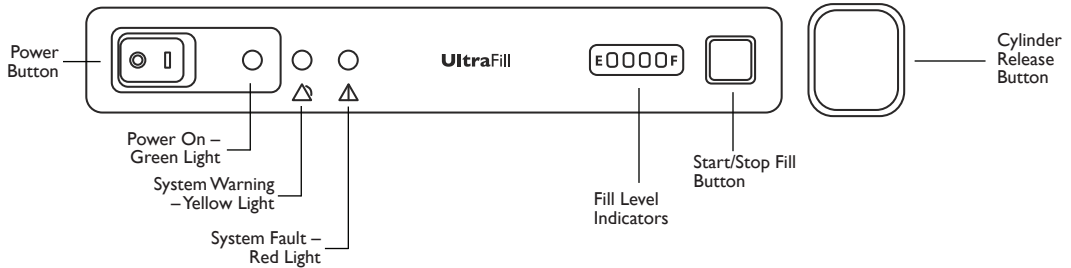
To ensure the correct use of this device, please read the information in this manual carefully before trying to operate this device. After reading this manual, keep it in a safe place where you can refer to it any time a question arises.



Getting Started

Begin by becoming familiar with your UltraFill and the Control Panel.



Control Panel



Description	Color	Function	Modes
Power Button	Power Off – None Power On – Green	When the switch is turned so that the “1” symbol is down, the device is operational.	Off – The device is turned off; mains power is not connected.
			Green light on – the device is on with no faults detected.
System Warning 	Yellow	When lit, this indicates the device has detected a possible fault. The audible alarm will not shut off until the user stops the filling process and checks the device.	Off – no system issue detected.
			Flashing yellow with periodic audible beep – the device has detected a low or high pressure fault.
			Steady yellow – the device has detected a possible O ₂ purity issue.
			Steady yellow and flashing red with a constant audible alarm – the device has detected an O ₂ purity issue with the oxygen cylinder.
System Fault 	Red	When lit, this indicates the device has detected a fault that requires service by the provider. The device has stopped filling and will not begin filling again until the problem is corrected.	Off – No system faults have been detected.
			Steady On with Constant Audible Alarm – The device has detected a problem that prevents it from operating. Contact your home care provider for repair.

UltraFill User Manual

Description	Color	Function	Modes
Fill Level Indicator	Blue	When at least one segment is lit, it indicates that the cylinder is connected properly to the device.	Segment Off – A cylinder is not connected or not connected properly to the device.
		When one segment is blinking, the cylinder is currently filling. Each solid lit segment represents 25% of the cylinder fill volume.	One Segment Flashing – The device is currently filling the cylinder.
		When all four segments are steadily lit, the cylinder is full and can be disconnected from the device.	All Segments Steady On – The cylinder is full.
Start/Stop Fill Button	Black	When pressed, the device will start or stop the cylinder fill process.	Start – The cylinder will begin to fill if it is connected properly.
			Stop – The cylinder will stop filling.
Cylinder Release Button	Blue	When pressed, the cylinder will be disconnected from the device.	Connected – At least one segment from the fill level indicator will be illuminated.
			Disconnected – No segments illuminated on the fill level indicator.

Using the UltraFill System

Initial Setup

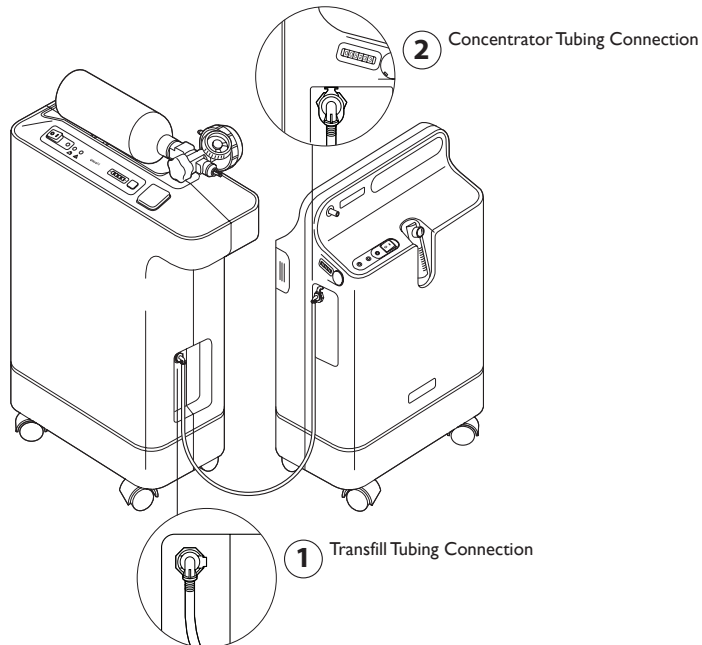
1. Place the UltraFill system in an appropriate area (see the Specification section of this manual).
2. Place the UltraFill in a room with adequate ventilation. The sides and rear of the device must be at least 24 inches away from any object.
3. Plug the UltraFill in to a standard 120V outlet. Do not connect the UltraFill System to an electrical outlet controlled by a wall switch or ground fault interruptor. Make sure that no other high power device such as a TV, stereo, computer, refrigerator, microwave oven, electrical range, or other large appliance is connected to this outlet.

Connecting an Oxygen Concentrator

Warning: to prevent an accidental tip over, do not attempt to move the UltraFill when it is connected to a cylinder.

Note: the oxygen concentrator used with the UltraFill System may look different from the illustration.

1. Ensure that one end of the tubing is connected to the transfill outlet connection.
2. Connect the other end of the tubing to the concentrator outlet connection.



Examining the Cylinder

Before using and/or filling the cylinder:

1. Examine the outside of the cylinder for the following:
 - » dents or dings
 - » oil or grease
 - » any other signs that the cylinders may be unsafe for use
2. Check the cylinder for fire or thermal damage.
3. Examine the cylinder fill connector for:
 - » debris, oil or grease
 - » noticeable signs of damage
 - » signs of excessive heat or fire damage
 - » signs of corrosion inside the valve

If any of the above conditions exist, call your homecare provider to replace the cylinder.

Connecting the Cylinder

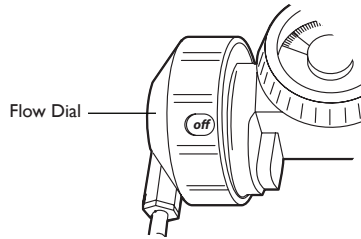
Before connecting the cylinder:

1. Make sure the UltraFill is plugged in and the concentrator is turned on.

Note: allow the concentrator to warm up for 5 minutes prior to filling a cylinder.

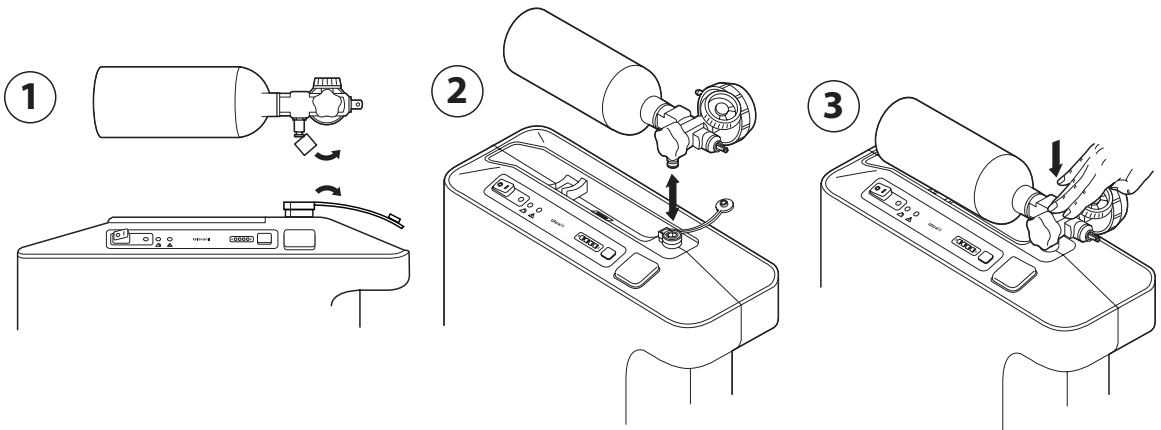
2. Press the power button to turn on the UltraFill. The green, yellow and red level indicator lights will flash and the system will beep. Then the yellow and red level indicators will turn off and the green level indicator light will be solid.
3. Check to see that the OCD or regulator is set to “OFF”.

Note: if filling the cylinder without an OCD or regulator attached, please close the cylinder valve to ensure the cylinder fills properly.



To connect the cylinder:

1. Remove the protective caps from the oxygen cylinder connector and cylinder fill connector.
2. Line up and place the cylinder fill connector inside the oxygen cylinder connector.
3. Lightly push the cylinder in to the oxygen cylinder connector.



Filling a Cylinder

Once the cylinder is properly connected, you can start the fill process.

1. Press the stop/start button.
2. As the oxygen cylinder fills, the level indicators on the UltraFill will illuminate. The first level indicator blinks while the oxygen cylinder is filling, then turns solid when the device is 25% full. As the oxygen cylinder continues to fill, each level indicator will blink, then illuminate.
3. When the cylinder is full, all level indicators will be solid. The UltraFill will automatically turn off and the cylinder can be disconnected.

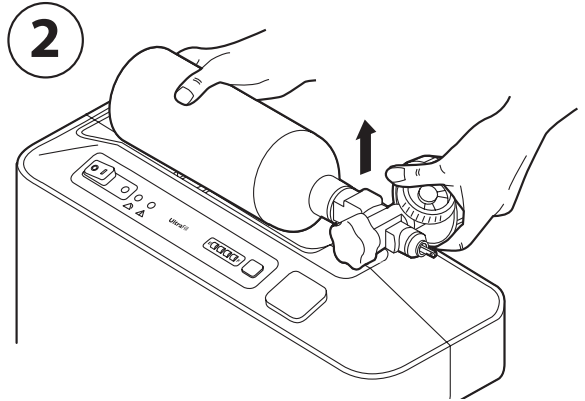
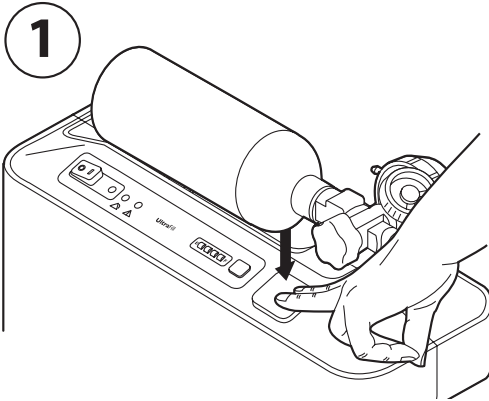
Note: the cylinder can be removed before it is completely full. Simply follow the steps outlined in the section called “Disconnecting Cylinder”.

Note: if the yellow LED is lit continuously and the red LED is flashing with a constant audible alarm, the O₂ purity in the cylinder has dropped below 90%. Remove and empty the cylinder (see the sections of this manual called “Disconnecting a Cylinder and “Emptying a Cylinder”). Refer to the “Troubleshooting Guide” in this manual for more information. If the problem persists, contact your homecare provider.

Cylinder Size	Volume (L)	Typical Fill Times
2000 psi (135 bar)		
M4	103	45 min
M6	148	1 hr 5 min
M9	246	1 hr 50 min
MD15	413	3 hr 5 min
ME24	679	5 hr
3000 psi (200 bar)		
MB08	232	1 hr 45 min
MC13	354	2 hr 35 min
MD22	604	4 hr 25 min
ME36	992	7 hr 20 min

Disconnecting a Cylinder

1. Press the cylinder release button on the control panel. The cylinder will disconnect and the fill level indicators will turn off.
2. Remove the cylinder from the oxygen cylinder connector.

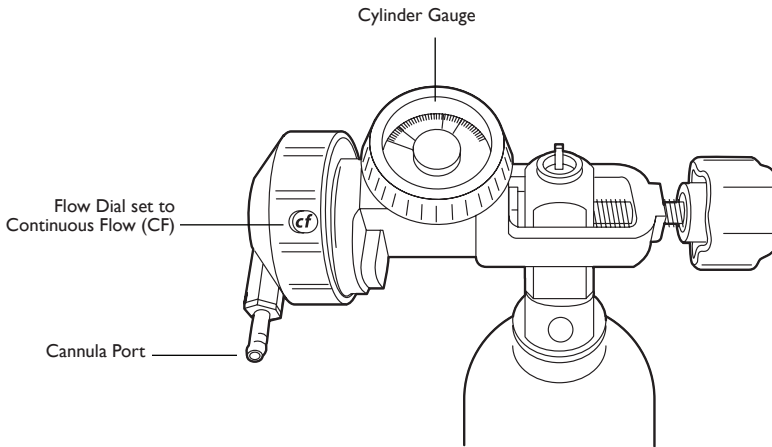


To fill additional cylinders, repeat the previous steps. If you are finished filling cylinders, replace the oxygen fill connector covers on the UltraFill and cylinders.

Emptying a Cylinder

If the O₂ purity in the cylinder has dropped below 90%, the cylinder will need to be emptied.

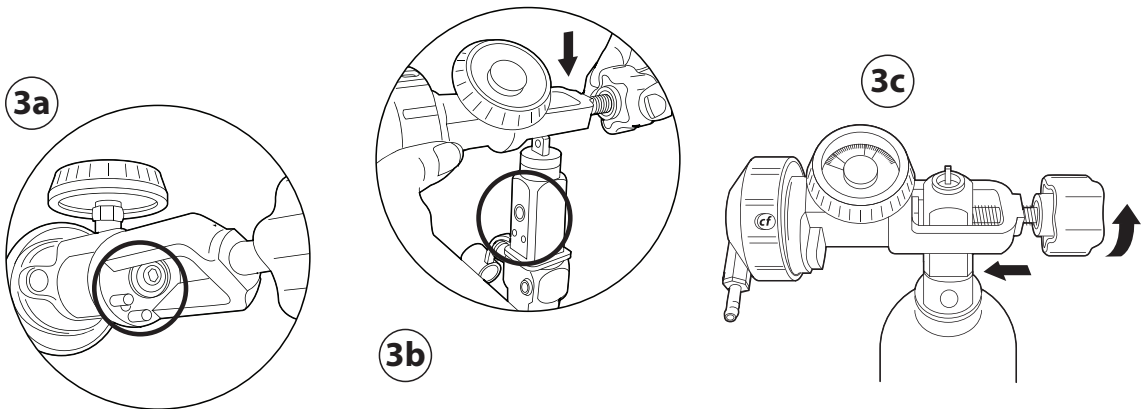
To empty your O₂ cylinder, adjust your conserving device or regulator to the highest continuous flow setting and wait for it to empty. After the cylinder has been emptied, it can be refilled again (Please see the section on Filling a Cylinder).



Breathing from the Cylinder

To use the cylinder, follow the steps below.

1. Prior to use, inspect the cylinder for any visible damage. If there is damage, do not use the cylinder.
2. Make sure the cylinder is filled with oxygen. If not, refill it using the UltraFill. See the section titled Filling the Cylinder for instructions on how to check the oxygen level and refill the cylinder.
3. If the conserving device or regulator has not already been attached, please place it on the cylinder (see illustration below) and open the cylinder post-valve.
 - » Find the CGA-870 connection on the OCD/regulator and match it to the connection on the cylinder (3a).
 - » Find the CGA-870 connection on the cylinder and attach the OCD/regulator (3b).
 - » Turn and tighten the knob on the right to secure the OCD/regulator position on the cylinder (3c).



4. Connect a standard single lumen nasal cannula to the cannula barb. Make sure the cannula tubing is no longer than 7 ft (2.1 m).
5. Confirm that the conserving device or regulator is set to the appropriate position as prescribed by your physician.
6. Adjust the cannula around your face so it fits correctly and comfortably. Breathe normally.
7. When the cylinder is not in use, turn the OCD or regulator control to the OFF position.

Cylinder Use Times

The pulse dose will vary on each individual's breathing patterns. The use time will vary depending on the patient's prescription, breath rate and type of conserving device being used. All use times are calculated using a setting of 2 and at a breath rate of 20-breaths per minute for pulse dose.

Respironics will offer both an oxygen conserving device (CHAD Therapeutics Bonsai) and two regulators (CHAD Therapeutics 4800 and 3100) with our system package. The use times are calculated below:

		Duration (at Bonsai Settings)							
	Volume (L)	1	2	3	4	5	6	7	2 lpm CF
Cylinder Type									
M4	103	6 hr 26 min	3 hr 51 min	2 hr 45 min	2 hr 9 min	1 hr 53 min	1 hr 43 min	1 hr 27 min	52 min
M6	148	9 hr 15 min	5 hr 33 min	3 hr 57 min	3 hr 5 min	2 hr 43 min	2 hr 28 min	2 hr 6 min	1 hr 14 min
M9	246	15 hr 23 min	9 hr 14 min	6 hr 34 min	5 hr 8 min	4 hr 31 min	4 hr 6 min	3 hr 29 min	2 hr 3 min
MD15	413	25 hr 48 min	15 hr 29 min	11 hr 1 min	8 hr 36 min	7 hr 34 min	6 hr 53 min	5 hr 51 min	3 hr 27 min
ME24	679	42 hr 26 min	25 hr 28 min	18 hr 6 min	14 hr 9 min	12 hr 27 min	11 hr 19 min	9 hr 37 min	5 hr 40 min
MB08	232	14 hr 30 min	8 hr 42 min	6 hr 11 min	4 hr 50 min	4 hr 15 min	3 hr 52 min	3 hr 17 min	1 hr 56 min
MC13	354	22 hr 8 min	13 hr 17 min	9 hr 26 min	7 hr 23 min	6 hr 29 min	5 hr 54 min	5 hr 1 min	2 hr 57 min
MD22	604	37 hr 45 min	22 hr 39 min	16 hr 6 min	12 hr 35 min	11 hr 4 min	10 hr 4 min	8 hr 33 min	5 hr 2 min
ME36	992	62 hr	37 hr 12 min	26 hr 27 min	20 hr 40 min	18 hr 11 min	16 hr 32 min	14 hr 3 min	8 hr 16 min

Regulator	Volume (L)	Duration (CF Settings)										
		.5	1	2	3	4	5	6	8	10	12	15
Cylinder Type												
M4	103	3 hr 26 min	1 hr 43 min	51 min	34 min	26 min	21 min	17 min	13 min	10 min	9 min	7 min
M6	148	4 hr 56 min	2 hr 28 min	1 hr 14 min	49 min	37 min	30 min	25 min	19 min	15 min	12 min	10 min
M9	246	8 hr 12 min	4 hr 6 min	2 hr 3 min	1 hr 22 min	1 hr 2 min	49 min	41 min	31 min	25 min	21 min	16 min
MD15	413	13 hr 46 min	6 hr 53 min	3 hr 26 min	2 hr 18 min	1 hr 43 min	1 hr 23 min	1 hr 9 min	52 min	41 min	34 min	28 min
ME24	679	22 hr 38 min	11 hr 19 min	5 hr 39 min	3 hr 46 min	2 hr 50 min	2 hr 16 min	1 hr 53 min	1 hr 25 min	1 hr 8 min	57 min	45 min
MB08	232	7 hr 44 min	3 hr 52 min	1 hr 56 min	1 hr 17 min	58 min	46 min	39 min	29 min	23 min	19 min	16 min
MC13	354	11 hr 48 min	5 hr 54 min	2 hr 57 min	1 hr 58 min	1 hr 29 min	1 hr 11 min	59 min	44 min	35 min	30 min	24 min
MD22	604	20 hr 8 min	10 hr 4 min	5 hr 2 min	3 hr 21 min	2 hr 31 min	2 hr 1 min	1 hr 41 min	1 hr 16 min	1 hr	50 min	40 min
ME36	992	33 hr 4 min	16 hr 32 min	8 hr 16 min	5 hr 31 min	4 hr 8 min	3 hr 18 min	2 hr 45 min	2 hr 4 min	1 hr 39 min	1 hr 23 min	1 hr 6 min

TROUBLESHOOTING GUIDE

UltraFill Station

Problem	Possible Cause	Your Action
Power switch is on but no LED's are illuminated.	Device is not plugged in or there is a power failure.	Check the power outlet and verify that the device is plugged in.
Cylinder is connected but no blue LED's are illuminated.	Cylinder is not fully connected.	Press cylinder disconnect button and remove cylinder. Verify there is no obstruction to cylinder fill connection. Retry connecting cylinder with firm downward force. DO NOT LUBRICATE CYLINDER FITTING WITH OIL OR GREASE. If the condition persists contact your home care provider.
Cylinder is connected, at least one blue LED is illuminated, but fill will not start.	Cylinder is not fully connected. Internal part failure.	Press the cylinder disconnect button and remove the cylinder. Verify there is no obstruction to the cylinder fill connection. Retry connecting the cylinder with firm downward force. DO NOT LUBRICATE THE CYLINDER FITTING WITH OIL OR GREASE. If the problem persists, contact your home care provider.
Yellow LED is blinking with periodic beep.	Low oxygen pressure. Cylinder valve may be open. (Only applicable if the OCD/Regulator is not attached).	Press the start/stop button. Verify that the oxygen concentrator and UltraFill are connected properly. Check for kinked or obstructed tubing. If the OCD/regulator is not attached to the cylinder, verify that the cylinder valve is closed. If the problem persists, contact your home care provider.
Yellow LED is illuminated.	The UltraFill device has detected low oxygen purity.	Press the start/stop button. Check the flow meter on the concentrator and verify the flow is ≤ 3 LPM (5L concentrator) or ≤ 7 LPM (10L concentrator). Wait 5 minutes and press the start/stop button. If the problem persists, contact your home care provider.

Problem	Possible Cause	Your Action
Yellow LED is illuminated, Red LED is blinking and the audible alarm is sounding continuously.	Average O ₂ purity in the cylinder is below 90%.	Press the stop button. Disconnect the cylinder from the device and empty it. Do not use the cylinder. Check the flow meter on the concentrator and verify the flow is ≤ 3 LPM (5L concentrator) or ≤ 7 LPM (10L concentrator). Wait 5 minutes. Attach a new cylinder and press the start button. If the problem persists, contact your home care provider.
Red LED is illuminated and the audible alarm is sounding continuously.	The device has detected a system malfunction.	Turn off the device and wait 5 minutes. Restart the device. If the problem persists, contact your home care provider.
One blue LED is flashing but the cylinder pressure is not increasing.	Internal part failure. Cylinder valve may be open. (Only applicable if the OCD/Regulator is not attached).	Press the cylinder disconnect button and remove the cylinder. Verify there is no obstruction to the cylinder fill connection. DO NOT LUBRICATE THE CYLINDER FITTING WITH OIL OR GREASE. If the OCD/regulator is not attached to the cylinder, check to make sure the cylinder valve is closed. Reconnect the cylinder. Press the start button. If the problem persists, contact your home care provider.

Cylinder with Conserving Device or Regulator

If your cylinder fails to operate properly, refer to the chart below for possible solutions. If your problem is not listed below, contact your home care provider. Do not attempt any maintenance procedures other than those listed below.

Problem	Probable Cause
The cylinder won't pulse when I use it.	<p>Check to see if the cannula is adjusted properly around your nose and has not slipped to one side.</p> <p>Close your mouth and breathe only through your nose. If the portable device still does not pulse, then try each of the following:</p> <ul style="list-style-type: none"> - Check for a pinched or broken cannula, which could interrupt airflow. - Make sure the connection between the cannula and cylinder is secure. - If you have moisture in the cannula, replace it with a dry one. - Check to see if there is oxygen in the cylinder. - Check that the conserving device is set to the number prescribed by your physician. <p>If some other adjustment is necessary, contact your home care provider.</p>
There's no flow from my cylinder.	<p>Check the oxygen level gauge to see if the cylinder is empty. If so, refill it.</p> <p>Make sure the setting on the conserving device or regulator is set to the number prescribed by your physician.</p> <p>If these solutions do not solve the problem, contact your home care provider.</p>
The device pulses when I exhale.	<p>Check for a pinched or broken cannula which could interrupt flow.</p> <p>If some other adjustment is necessary, contact your home care provider.</p>
My use times are different from those shown in this manual.	<p>It is normal to have a small variation from the figures provided in this manual. However, if your times are very different from those shown in this manual, there may be a leak. If you are in pulse dose, you may be using a different conserving device with a different conserving ratio. Contact your home care provider.</p>

CLEANING AND MAINTENANCE

Cleaning

Warning: Disconnect the power cord from the electrical outlet before cleaning the housing of the UltraFill Station.

Warning: Do not use any oil, grease, or petroleum-based products on or near this unit.

The outer housing of the UltraFill Station may be cleaned with a mild household detergent and a damp cloth or sponge. Avoid using large quantities of water to clean the unit and do not use any petroleum-based solvents or cleaning agents.

Wipe the device completely dry after you have finished cleaning it.



Maintenance

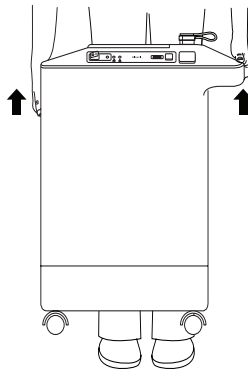
The UltraFill Station requires no periodic maintenance. There is a bacteria filter located inside the UltraFill, which can be changed at the provider's discretion.

TRANSPORTING THE ULTRAFILL SYSTEM

Warning: to prevent an accidental tip over, do not attempt to move the UltraFill when it is connected to a cylinder.

During operation, the device is should be upright with the all four wheels contacting the floor.

Use the handles on either side of the UltraFill device to lift it (see illustration). The device can be transported in any orientation. Verify the protective cap is covering the oxygen cylinder connector before transport.



SPECIFICATIONS

Environmental

	Operating	Transport and Storage
Temperature:	54° F to 90° F (12° C to 32° C)	-4° F to 140° F (-20° C to 60° C)
Relative Humidity:	20 to 90% non-condensing	15 to 95% non-condensing

Physical

Height:	25.5 in (64.8 cm)
Weight:	45 lbs (20.4 kg)

Electrical

Nominal Voltage:	120 VAC 60 Hz
Power:	110 W
Amperes:	1.0 A at 120 V

Standards Compliance

This device is designed to conform to the following standards:

- IEC 60601-1, 2nd edition, Medical Electrical Equipment – Part 1: General Requirements for Safety (plus national deviations)
- IEC 60601-1-2: 2001: Medical electrical equipment – Part 1-2: General requirements for safety- Collateral standard: Electromagnetic compatibility – Requirements and tests

IEC 60601-1 Classification

- Degree of Protection Against Electric Shock: Class II
- Type B Applied Part
- Protection against ingress of liquids: IPX1
- Continuous Operation

Cylinder Specifications

Operating

Temperature: 41° F to 104° F
(5° C to 40° C)

Relative Humidity: 0% to 90%, non-condensing

Transport & Storage

-4° F to 130° F
(-20° C to 54° C)

0% to 90%, non-condensing

Cylinder Size	Volume (L)	Typical Fill Times	Empty Weight	Dimensions	Operating Range Tank Pressure
2000 psi (135 bar)					
M4	103	45 min	2.9 lb (1.3 kg)	3.2"D x 12.75"L (81mm x 324mm)	200 to 2000 PSIG (14 to 138 bar)
M6	148	1 hr 5 min	3.2 lb (1.4 kg)	3.2"D x 15.55"L (81mm x 395mm)	
M9	246	1 hr 50 min	4.7 lb (2.1 kg)	4.4"D x 14.35"L (112mm x 365mm)	
MD15	413	3 hr 5 min	6 lb (2.7 kg)	4.4"D x 19.95"L (112mm x 507mm)	
ME24	679	5 hr	8.6 lb (3.9 kg)	4.4"D x 28.95"L (112mm x 735mm)	
3000 psi (200 bar)					
MB08	232	1 hr 45 min	3.2 lb (1.4 kg)	3.2"D x 15.55"L (81mm x 395mm)	200 to 3000 PSIG (14 to 207 bar)
MC13	354	2 hr 35 min	5 lb (2.3 kg)	4.4"D x 14.35"L (112mm x 365mm)	
MD22	604	4 hr 25 min	6.7 lb (3 kg)	4.4"D x 20.05"L (112mm x 509mm)	
ME36	992	7 hr 20 min	9. lb (4.45 kg)	4.4"D x 29.05"L (112mm x 738mm)	

Disposal

When it becomes necessary, dispose of the device in accordance with local regulations.

EMC INFORMATION


GUIDANCE AND MANUFACTURER’S DECLARATION – ELECTROMAGNETIC EMISSIONS: This device is intended for use in the electromagnetic environment specified below. The user of this device should make sure it is used in such an environment.

EMISSIONS TEST	COMPLIANCE	ELECTROMAGNETIC ENVIRONMENT – GUIDANCE
RF emissions CISPR 11	Group 1	The device uses RF energy only for its internal function. Therefore, its RF emissions are very low and are not likely to cause any interference in nearby electronic equipment.
RF emissions CISPR 11	Class B	The device is suitable for use in all establishments, including domestic establishments and those directly connected to the public low-voltage power supply network that supplies buildings used for domestic purposes.
Harmonic emissions IEC 61000-3-2	NA	No test requirements for devices that operate at 115VAC 60 Hz.
Voltage fluctuations/Flicker emissions IEC 61000-3-3	NA	

GUIDANCE AND MANUFACTURER’S DECLARATION – ELECTROMAGNETIC IMMUNITY: This device is intended for use in the electromagnetic environment specified below. The user of this device should make sure it is used in such an environment.

IMMUNITY TEST	IEC 60601 TEST LEVEL	COMPLIANCE LEVEL	ELECTROMAGNETIC ENVIRONMENT – GUIDANCE
Electrostatic Discharge (ESD) IEC 61000-4-2	±6 kV contact ±8 kV air	±6 kV contact ±8 kV air	Floors should be wood, concrete or ceramic tile. If floors are covered with synthetic material, the relative humidity should be at least 30%.
Electrical Fast Transient/Burst IEC 61000-4-4	±2 kV for power supply lines	±2 kV for power supply mains	Mains power quality should be that of a typical home or hospital environment.
Surge IEC 61000-4-5	±1 kV Line to Line	±1 kV line to line	Mains power quality should be that of a typical home or hospital environment.
Voltage dips, short interruptions and voltage variations on power supply input lines IEC 61000-4-11	<5% U_T (>95% dip in U_T) for 0.5 cycle 40% U_T (60% dip in U_T) for 5 cycles 70% U_T (30% dip in U_T) for 25 cycles <5% U_T (>95% dip in U_T) for 5 sec	<5% U_T (>95% dip in U_T) for 0.5 cycle 40% U_T (60% dip in U_T) for 5 cycles 70% U_T (30% dip in U_T) for 25 cycles <5% U_T (>95% dip in U_T) for 5 sec	Mains power quality should be that of a typical home or hospital environment. If the user of the device requires continued operation during power mains interruptions, it is recommended that the device be powered from an uninterruptible power supply.
Power frequency (60 Hz) magnetic field IEC 61000-4-8	3 A/m	3 A/m	Power frequency magnetic fields should be at levels characteristic of a typical location in a typical hospital or home environment.
Note: U_T is the a.c. mains voltage prior to application of the test level.			

GUIDANCE AND MANUFACTURER'S DECLARATION – ELECTROMAGNETIC IMMUNITY: This device is intended for use in the electromagnetic environment specified below. The user of this device should make sure it is used in such an environment.

IMMUNITY TEST	IEC 60601 TEST LEVEL	COMPLIANCE LEVEL	ELECTROMAGNETIC ENVIRONMENT – GUIDANCE
Conducted RF IEC 61000-4-6 Radiated RF IEC 61000-4-3	3 Vrms 150 kHz to 80 MHz 3 V/m 80 MHz to 2.5 GHz	3 V 3 V/m	Portable and mobile RF communications equipment should be used no closer to any part of the device, including cables, than the recommended separation distance calculated from the equation applicable to the frequency of the transmitter. Recommended separation distance: $d = 1.2 \sqrt{P}$ 150 kHz to 80 MHz $d = 1.2 \sqrt{P}$ 80 MHz to 800 MHz $d = 2.3 \sqrt{P}$ 800 MHz to 2.5 GHz where P is the maximum output power rating of the transmitter in watts (W) according to the transmitter manufacturer and d is the recommended separation distance in meters (m). Field strengths from fixed RF transmitters, as determined by an electromagnetic site survey ^a , should be less than the compliance level in each frequency range ^b . Interference may occur in the vicinity of equipment marked with the following symbol: 

Note 1: At 80 MHz and 800 MHz, the higher frequency range applies.

Note 2: These guidelines may not apply in all situations. Electromagnetic propagation is affected by absorption and reflection from structures, objects and people.

a: Field strength from fixed transmitters, such as base stations for radio (cellular/cordless) telephones and land mobile radios, amateur radio, AM and FM radio broadcast and TV broadcast cannot be predicted theoretically with accuracy. To assess the electromagnetic environment due to fixed RF transmitters, an electromagnetic site survey should be considered. If the measured field strength in the location in which the device is used exceeds the applicable RF compliance level above, the device should be observed to verify normal operation. If abnormal performance is observed, additional measures may be necessary, such as re-orienting or relocating the device.

b: Over the frequency range 150 kHz to 80 MHz, the field strengths should be less than 3 V/m.

Recommended Separation Distances between Portable and Mobile RF Communications Equipment and This Device:

The device is intended for use in an electromagnetic environment in which radiated RF disturbances are controlled. The user of this device can help prevent electromagnetic interference by maintaining a minimum distance between portable and mobile RF communications equipment (transmitters) and this device as recommended below, according to the maximum output power of the communications equipment.

RATED MAXIMUM POWER OUTPUT OF TRANSMITTER (W)	SEPARATION DISTANCE ACCORDING TO FREQUENCY OF TRANSMITTER (m)		
	150 kHz to 80 MHz $d = 1.2 \sqrt{P}$	80 MHz to 800 MHz $d = 1.2 \sqrt{P}$	800 MHz to 2.5 GHz $d = 2.3 \sqrt{P}$
0.01	0.12	0.12	0.23
0.1	0.38	0.38	0.73
1	1.2	1.2	2.3
10	3.8	3.8	7.3
100	12	12	23

For transmitters rated at a maximum output power not listed above, the recommended separation distance *d* in meters (m) can be estimated using the equation applicable to the frequency of the transmitter, where P is the maximum output power rating of the transmitter in watts (W) according to the transmitter manufacturer.

Note 1: At 80 MHz and 800 MHz, the separation distance for the higher frequency range applies.

Note 2: These guidelines may not apply in all situations. Electromagnetic propagation is affected by absorption and reflection from structures, objects and people.

LIMITED WARRANTY

Respironics, Inc. (“Respironics”) warrants the UltraFill System (the “Product”) as set forth in the following paragraphs.

Respironics warrants that the UltraFill, except as otherwise stated herein, is free from defects in materials and workmanship under normal and proper use and when correctly maintained in accordance with applicable instructions, for a period of three (3) years or five thousand (5,000) hours (whichever comes first) from the date of shipment by Respironics to the original purchaser (the “Warranty Period”).

Respironics warrants that the cylinder and post valve, except as otherwise stated herein, is free from defects in materials and workmanship under normal and proper use and when correctly maintained in accordance with applicable instructions, for a period of three (3) years from the date of shipment by Respironics to the original purchaser (the “Warranty Period”).

Limitations

If any Product purchased from Respironics fails to conform to the warranties set forth herein during the Warranty Period, as determined by Respironics in its sole discretion, Respironics may discharge its warranty obligation by repairing or replacing the Product, in Respironics’ sole discretion. This may be accomplished by installing new or remanufactured assemblies or components, or by other repairs deemed appropriate in the sole discretion of Respironics. The choice of repair or replacement by Respironics shall be the sole and exclusive remedy of the original purchaser. Respironics reserves the right, in its sole discretion, to refund the purchase price in lieu of repair or replacement of the Product. In no event shall Respironics’ maximum liability under these warranties exceed the price paid to Respironics by the original purchaser for the Product.

Conditions

This warranty does not cover damage or injury whether to the Product or to personal property or persons caused by accident, misuse, abuse, negligence, failure to install in accordance with Respironics’ installation instructions, failure to operate under conditions of normal use and in accordance with the terms of the operating manual and instructions, failure to maintain in accordance with the applicable service manuals, or alteration or any defects not related to materials or workmanship of the Product. This warranty does not cover damage which may occur in shipment. This warranty does not apply to any Product or individual part of a Product that may have been repaired or altered by anyone other than Respironics or an authorized Respironics service center. This warranty does not apply to any Product which is not purchased new.

Exclusions of Warranties

EXCEPT AS SET FORTH IN THIS LIMITED WARRANTY, RESPIRONICS MAKES NO WARRANTIES, EXPRESSED OR IMPLIED, STATUTORY OR OTHERWISE, REGARDING THE PRODUCT, ITS QUALITY OR PERFORMANCE. RESPIRONICS SPECIFICALLY DISCLAIMS THE IMPLIED WARRANTY OF MERCHANTABILITY AND THE IMPLIED WARRANTY OF FITNESS FOR A PARTICULAR PURPOSE. IN NO EVENT SHALL RESPIRONICS BE LIABLE FOR THE COST OF PROCUREMENT OF SUBSTITUTE PRODUCTS OR FOR ANY INDIRECT,

SPECIAL, CONSEQUENTIAL, PUNITIVE, EXEMPLARY OR INCIDENTAL DAMAGES (INCLUDING, BUT NOT LIMITED TO, COMMERCIAL LOSS OR LOST REVENUES), FOR ANY CAUSE OF ACTION, WHETHER IN CONTRACT OR TORT, AND WHETHER OR NOT RESPIRONICS WAS AWARE OR SHOULD HAVE BEEN AWARE OF THE POSSIBILITY OF THESE DAMAGES. EXCEPT FOR THE OBLIGATIONS UNDER THIS LIMITED WARRANTY, RESPIRONICS SHALL NOT HAVE ANY OBLIGATION OR LIABILITY FOR ANY OTHER LOSS,

DAMAGE OR INJURY RESULTING DIRECTLY OR INDIRECTLY FROM THE PRODUCT. PURCHASER'S SOLE AND EXCLUSIVE REMEDY FOR BREACH OF THE WARRANTIES SET FORTH IN THIS DOCUMENT SHALL BE AS PROVIDED IN THE PARAGRAPH DESCRIBING LIMITATIONS.

To exercise your rights under this warranty, contact your local authorized Respironics, Inc. dealer or contact Respironics, Inc. at:

Respironics, Inc.
1001 Murry Ridge Lane
Murrysville, PA 15668 USA

Deutschland
Gewerbstrasse 17
82211 Herrsching, Germany

Table des matières

Introduction	3
Mode de fonctionnement du système.....	7
Guide de dépannage.....	19
Nettoyage et entretien	22
Transport du système UltraFill	22
Spécifications.....	23
Informations sur la compatibilité électromagnétique	25
Garantie limitée.....	27

Symboles clés



Suivre les instructions d'utilisation



Ne pas approcher des flammes nues



Maintenir bien ventilé



Ne pas approcher des appareils électriques



Ne pas fumer



Ne pas approcher de l'huile ou de la graisse



Alimentation secteur



Maintenir l'appareil en position verticale



Pièce appliquée de type B



Dispositif de classe II



Avertissement système

IPX1

Équipement protégé contre les gouttes



Suivez les instructions pour maintenir la stabilité de l'équipement



Panne du système

Définitions

Les définitions et acronymes suivants figurent dans ce manuel:

- l/mn litres par minute
- dBA décibels
- CGA Compressed Gas Association
- VPO Indicateur de pourcentage d'oxygène
- EO Économiseur d'oxygène
- CF Flux continu

INTRODUCTION

Domaine d'application

Le système UltraFill est conçu pour délivrer un supplément d'oxygène aux patients et fournir de l'oxygène sous pression afin de remplir des bouteilles pour une utilisation ambulatoire personnelle des patients. Cet appareil n'est pas conçu pour le maintien de la vie ou la survie.

Description de l'appareil

Le système UltraFill est constitué d'une station de remplissage en oxygène, d'un concentrateur d'oxygène compatible, d'une ou de plusieurs bouteilles d'oxygène et d'un économiseur d'oxygène ou d'un détendeur.

Pendant que le système UltraFill remplit une bouteille, un concentrateur de 5 litres délivre au patient un débit maximal de 3 l/mn et remplit de manière continue la bouteille. Le système UltraFill ne peut pas être utilisé avec un concentrateur de 5 litres lorsque le débit patient requis est supérieur à 3 l/mn. Lorsque le débit patient requis est supérieur à 3 l/mn, le concentrateur Millennium M10 délivre un débit maximal de 7 l/mn.

Avertissements et mises en garde

Avertissements

- Contactez immédiatement votre médecin si, en cours d'utilisation du système, vous ressentez une gêne ou notez des symptômes physiques inhabituels.
- L'oxygène peut favoriser une combustion rapide lorsqu'il est exposé à une flamme nue. Ne laissez aucun objet fumant ni aucune flamme nue près de cet appareil.
- N'utilisez pas d'huile, de graisse ou de produits à base de pétrole sur ou près de cet appareil.
- Ne fumez pas lors de l'utilisation du dispositif.
- Évitez tout déversement de liquides sur le dispositif ou autour de celui-ci. Ne placez pas de boissons dessus. Ne laissez aucun liquide venir en contact avec le dispositif. Contactez votre représentant du service après-vente si un liquide vient en contact avec le dispositif.
- Ne laissez aucun objet sur la station UltraFill, ou aucun tissu le recouvrir, au risque de bloquer le débit d'air dans le dispositif. Placez l'appareil dans un lieu ventilé, avec un dégagement de 61 centimètres sur les côtés et autour de la partie arrière.
- Interdisez l'utilisation du système UltraFill aux mineurs ou aux enfants. Ne laissez pas des enfants sans surveillance jouer sur ou près du dispositif.
- Pour éviter tout renversement accidentel, ne tentez pas de déplacer le système UltraFill lorsqu'il est connecté à une bouteille.

- N'utilisez pas le système UltraFill si la prise ou le cordon d'alimentation sont endommagés. N'utilisez pas de rallonge électrique avec le système UltraFill.
- Ne branchez pas le système UltraFill sur une prise électrique contrôlée par un interrupteur mural ou par un interrupteur de défaut à la terre. Veillez à ce qu'aucun autre appareil de puissance élevée, tel qu'un téléviseur, une chaîne stéréophonique, un ordinateur, un émetteur radio, un radiateur d'appoint, un sèche-cheveux, un réfrigérateur, un four à micro-ondes, une cuisinière électrique, ou d'autres appareils ménagers volumineux ne soient branchés sur cette prise.
- Risque de choc électrique: Ne démontez pas l'enceinte du système UltraFill. Seul Respironics, Inc. ou un représentant qualifié peut procéder à la dépose de l'enceinte.
- Débranchez le cordon d'alimentation de la prise électrique avant de nettoyer le boîtier du système UltraFill.
- Cet équipement est conforme à la norme CEI 60601-1-2 en matière de compatibilité électromagnétique des appareils et/ou des systèmes électromédicaux. Cette norme est destinée à fournir une protection raisonnable contre toute interférence nuisible dans un milieu médical typique. Toutefois, en raison de la prolifération d'équipements émettant des radiofréquences et d'autres sources de bruits électriques dans des environnements médicaux et autres, il est possible que de hauts niveaux de telles interférences dus à la proximité immédiate ou à la puissance d'une source altèrent les performances de ce dispositif. Les appareils électromédicaux nécessitent des précautions particulières quant à la compatibilité électromagnétique et tous les appareils doivent être installés et mis en service conformément aux informations relatives à la compatibilité électromagnétique contenues dans ce manuel.
- Prenez les précautions nécessaires pour éviter une décharge électrostatique (par exemple, climatisation, humidification, revêtements de sol conducteurs, vêtements non synthétiques), l'élimination de l'électricité statique du corps de l'utilisateur en touchant le boîtier de l'équipement, la terre ou un objet métallique volumineux, et le port d'un bracelet antistatique par l'utilisateur.
- Toutes les bouteilles doivent être inspectées avant toute tentative de remplissage. Le non-respect de cette directive peut entraîner des blessures ou des dommages.
- Ne remplissez pas des bouteilles n'ayant pas été testées au cours des 5 dernières années. Le non-respect de cette directive peut entraîner des blessures. Contactez votre revendeur pour obtenir des bouteilles de remplacement.
- N'utilisez jamais le premier outil venu pour déconnecter la bouteille de la station UltraFill. Le non-respect de cette directive peut entraîner de graves blessures et/ou des dommages.
- Ne laissez pas tomber les bouteilles d'oxygène. Manipulez et transportez les bouteilles d'oxygène en les tenant à deux mains. Le non-respect de cette directive peut causer des blessures ou des dommages.
- N'utilisez pas de détecteur de fuites liquides pour effectuer une recherche de fuite.
- Ne dirigez pas le flux d'oxygène vers une personne ou un matériau inflammable lors du réglage du débit.
- Lorsque l'aiguille de la jauge d'une bouteille pointe vers la zone rouge, il est recommandé de remplir la bouteille.
- L'oxygène n'est pas délivré entre les préparations des bouteilles. Pour obtenir le débit souhaité, l'aiguille indicatrice doit être alignée avec un chiffre spécifique du cadran.
- Pour éviter de blesser le patient, confirmez toujours le réglage prescrit avant toute administration du traitement au patient.

Mises en garde

- N'utilisez pas de solutions nettoyantes.
- N'immergez pas les bouteilles dans un liquide, quel qu'il soit.

D'autres avertissements, mises en garde et remarques apparaissent dans le manuel.

Compatibilité avec des appareils à oxygène

La station de remplissage en oxygène à domicile UltraFill est compatible avec les appareils suivants:

Concentrateurs

Concentrateur d'oxygène sur pied Respironics EverFlo

Concentrateur d'oxygène sur pied Respironics EverFlo Q

Concentrateurs Respironics Millennium séries M600 et M605

Concentrateur Respironics Millennium M10

Bouteilles

Bouteilles d'oxygène Respironics UltraFill de 135 bar:

- M4
- M6
- M9
- MD15
- ME24

Bouteilles d'oxygène Respironics UltraFill de 200 bar:

- MB08
- MC13
- MD22
- ME36

Économiseurs d'oxygène et détendeurs

- CHAD Therapeutics Bonsai®
- Détendeur CHAD Therapeutics 4800
- Détendeur CHAD Therapeutics 3100
- Détendeur pédiatrique CHAD Therapeutics 3100

Remarque: Les bouteilles UltraFill de 135 et 200 bar peuvent être connectées à tout économiseur et détendeur compatibles avec la norme CGA-870. Il est important de vérifier que l'économiseur ou le détendeur ont été conçus, fabriqués et testés pour une utilisation à la pression nominale de la bouteille. Le détendeur CHAD Therapeutics 3100 et l'économiseur Bonsai proposés par Respironics ont été conçus, fabriqués et testés pour une utilisation sur les bouteilles de 135 et 200 bar.

Accessoires

- Sac de transport de bouteilles (petite taille: M9/MC13; taille moyenne: M4/M6/MB08; grande taille: MD15/MD22)
- Chariot de transport de bouteilles (pour les bouteilles de taille MD15/MD22/ME24/ME36)
- Bouteilles
 - » 135 bar: M4, M6, M9, MD15, ME24
 - » 200 bar: MB08, MC13, MD22, ME36
- CHAD Therapeutics Bonsai
- Détendeur CHAD Therapeutics 4800
- Détendeur CHAD Therapeutics 3100
- Détendeur pédiatrique CHAD Therapeutics 3100

Pour contacter Respironics

Pour l'entretien de l'appareil, contactez votre prestataire de soins à domicile. Pour contacter directement Respironics, appelez le service clientèle de Respironics au 1-800-345-6443 (États-Unis et Canada uniquement), composez le 1-724-387-4000 ou appelez Respironics Deutschland au +49 8152 93060. Vous pouvez également nous contacter à l'adresse suivante:

Respironics, Inc.
1001 Murry Ridge Lane
Murrysville, PA 15668 États-Unis

Deutschland
Gewerbstrasse 17
82211 Herrsching, Allemagne

MODE DE FONCTIONNEMENT DU SYSTÈME

La station de remplissage en oxygène à domicile UltraFill remplit des bouteilles d'oxygène Respironics d'oxygène gazeux fourni par un concentrateur d'oxygène.

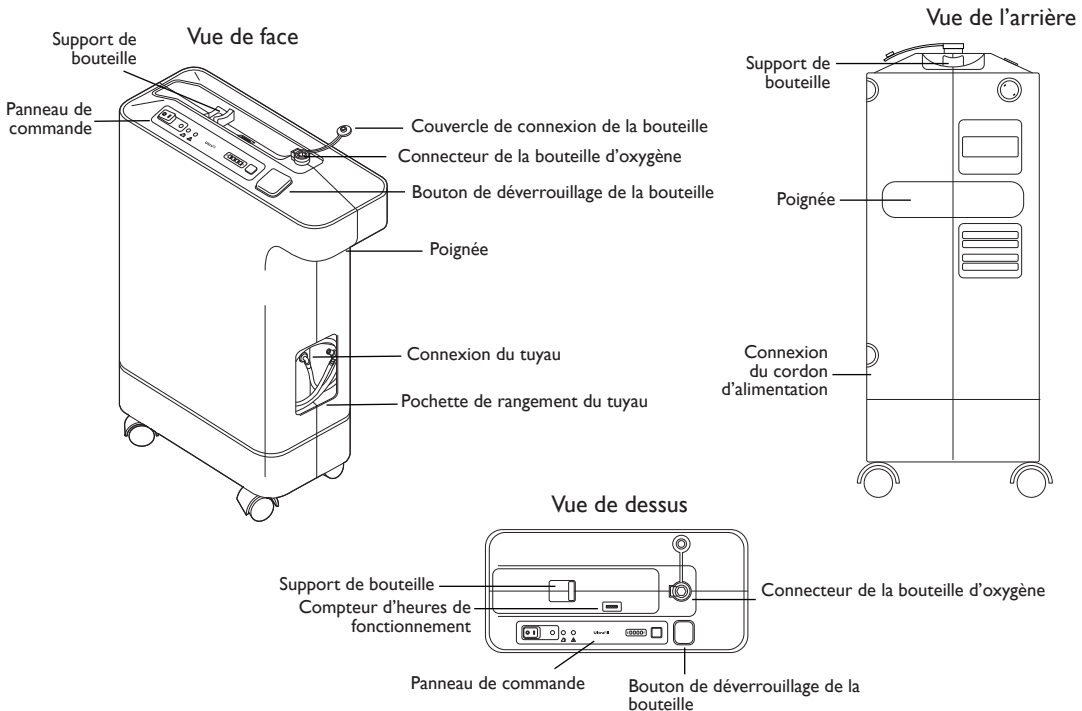
La station UltraFill est raccordée au concentrateur par un tube pneumatique. Le concentrateur d'oxygène prélève l'air ambiant et alimente le système UltraFill en air enrichi d'oxygène. Le système UltraFill comprime l'oxygène dans une bouteille à une pression très élevée. Cette bouteille peut alors être utilisée pour une oxygénothérapie ambulatoire. Pendant que la bouteille est remplie, vous pouvez continuer à respirer à un débit maximal de 3 l/mn grâce à un concentrateur de 5 litres, et à un débit maximal de 7 l/mn grâce à un concentrateur de 10 litres.

La station UltraFill ne sert qu'au remplissage d'une bouteille. Vous ne pouvez pas respirer de l'oxygène directement depuis la station. Cet appareil n'est pas destiné aux services de réanimation et de maintien des fonctions vitales.

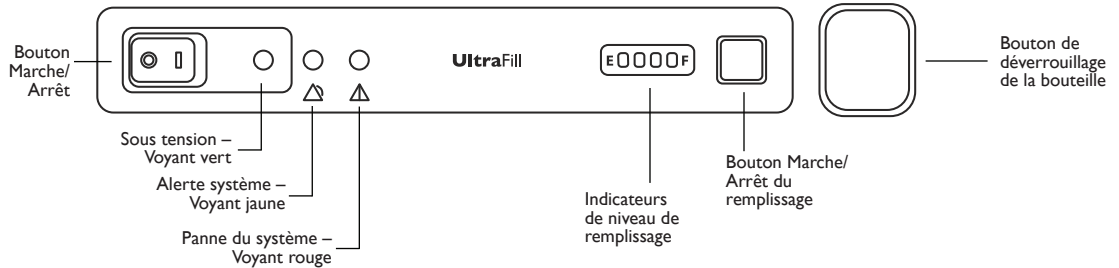
Pour garantir l'utilisation correcte de cet appareil, veuillez lire attentivement les informations contenues dans ce manuel avant d'utiliser le dispositif. Après avoir lu ce manuel, conservez-le en lieu sûr pour le consulter chaque fois qu'une question se pose.



Démarrage

Commencez par vous familiariser avec votre système UltraFill et le panneau de commande.



Panneau de commande



Description	Couleur	Fonction	Modes
Bouton Marche/Arrêt	Hors tension – éteint Sous tension – Vert	Lorsque l'interrupteur est tourné de sorte que le symbole « I » est orienté vers le bas, l'appareil fonctionne.	Éteint – L'appareil est arrêté; l'alimentation secteur n'est pas connectée.
			Voyant vert allumé – L'appareil est allumé et aucune panne n'est détectée.
Avertissement système 	Jaune	Lorsqu'il s'allume, ce voyant indique que l'appareil a détecté une panne éventuelle. L'alarme sonore ne s'arrête qu'après l'interruption du processus de remplissage et vérification de l'appareil.	Éteint – Aucune panne n'a été détectée au niveau du système.
			Clignotement jaune accompagné de bips sonores intermittents – L'appareil a détecté une panne de basse ou haute pression.
			Jaune continu – L'appareil a détecté un problème éventuel de pureté de l'O ₂ .
Panne du système 	Rouge	Lorsqu'il s'allume, ce voyant indique que l'appareil a détecté une panne qui nécessite un entretien par le prestataire. L'appareil a arrêté le remplissage et ne le reprendra qu'une fois le problème corrigé.	Éteint – Aucune panne n'a été détectée au niveau du système.
			Allumé en continu accompagné d'une alarme sonore – L'appareil a détecté un problème qui l'empêche de fonctionner. Contactez votre prestataire de soins à domicile pour réparation.

Manuel de l'utilisateur du système UltraFill

Description	Couleur	Fonction	Modes
Indicateur de niveau de remplissage	Bleu	La bouteille est correctement connectée à l'appareil lorsqu'au moins un segment est allumé.	Segment éteint – Une bouteille n'est pas connectée ou est incorrectement connectée à l'appareil.
		La bouteille est en cours de remplissage lorsqu'au moins un segment clignote. Chaque segment allumé en continu représente 25 % du volume de remplissage de la bouteille.	Un segment clignotant – L'appareil remplit la bouteille.
		Lorsque les quatre segments sont allumés en continu, la bouteille est pleine et peut être déconnectée de l'appareil.	Tous les segments sont allumés en continu – La bouteille est pleine.
Bouton Marche/Arrêt du remplissage	Noir	Lorsque le bouton est enfoncé, l'appareil lance ou arrête le processus de remplissage.	Marche – Le remplissage de la bouteille commence si celle-ci est correctement connectée.
			Arrêt – Le remplissage de la bouteille s'arrête.
Bouton de déverrouillage de la bouteille	Bleu	Lorsque le bouton est enfoncé, la bouteille est déconnectée de l'appareil.	Connecté – Au moins un segment de l'indicateur du niveau de remplissage s'allume.
			Déconnecté – Aucun segment de l'indicateur du niveau de remplissage n'est allumé.

Utilisation du système UltraFill

Mise en place initiale

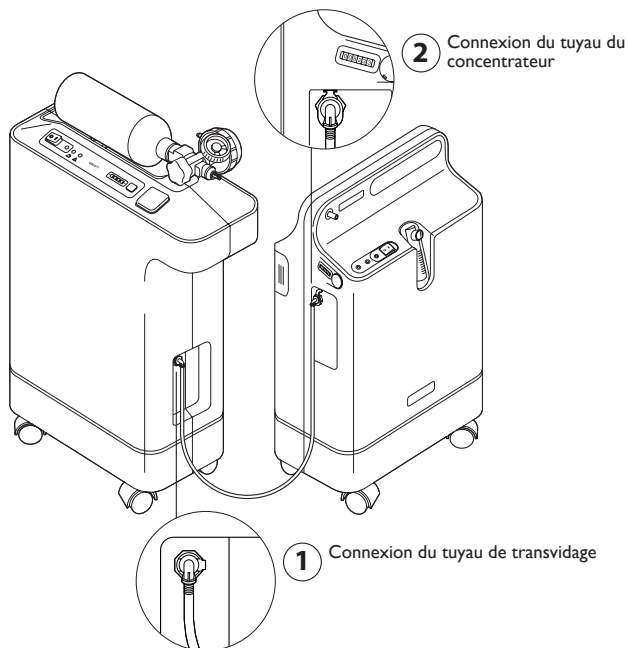
1. Placez le système UltraFill à un emplacement approprié (consultez la section Caractéristiques techniques de ce manuel).
2. Placez le système UltraFill dans une pièce disposant d'une ventilation suffisante. Les côtés et l'arrière de l'appareil doivent être distants d'au moins 61 cm de tout autre objet.
3. Branchez le système UltraFill dans une prise de 120V standard. Ne branchez pas le système UltraFill sur une prise électrique contrôlée par un interrupteur mural ou par un interrupteur de défaut à la terre. Veillez à ce qu'aucun autre appareil de puissance élevée, tel qu'un téléviseur, une chaîne stéréophonique, un ordinateur, un réfrigérateur, un four à micro-ondes, une cuisinière électrique, ou d'autres appareils ménagers volumineux ne soient branchés sur cette prise.

Connexion d'un concentrateur d'oxygène

Avertissement: Pour éviter tout renversement accidentel, ne tentez pas de déplacer le système UltraFill lorsqu'il est connecté à une bouteille.

Remarque: L'apparence du concentrateur d'oxygène utilisé avec le système UltraFill peut différer de l'illustration.

1. Vérifiez qu'une extrémité du tuyau est connectée à la connexion de sortie de transvidage.
2. Connectez l'autre extrémité du tuyau à la connexion de sortie du concentrateur.



Examen de la bouteille

Avant d'utiliser et/ou de remplir la bouteille:

1. Examinez l'extérieur de la bouteille à la recherche des anomalies suivantes:
 - » bosses ou enfoncements
 - » huile ou graisse
 - » tout signe que les bouteilles peuvent présenter un danger lors de leur utilisation
2. Examinez la bouteille à la recherche de signes de dommages thermiques ou consécutifs à un incendie.
3. Examinez le connecteur de remplissage de la bouteille à la recherche de:
 - » débris, d'huile ou de graisse
 - » signes visibles de dommage
 - » signes d'une chaleur excessive ou de dommages consécutifs à un incendie
 - » signes de corrosion à l'intérieur de la valve

En présence de l'un des problèmes ci-dessus, appelez le prestataire de soins à domicile afin de remplacer la bouteille.

Connexion de la bouteille

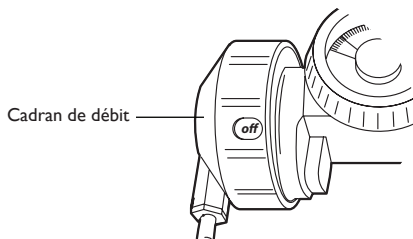
Avant de connecter la bouteille:

1. S'assurer que le système UltraFill est branché et que le concentrateur est sous tension.

Remarque: Laissez le concentrateur se réchauffer pendant 5 minutes avant de remplir une bouteille.

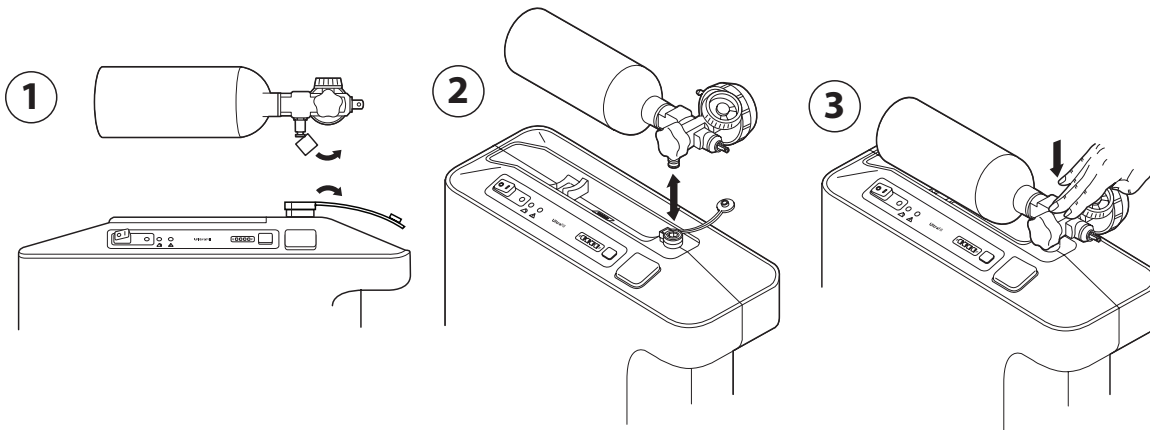
2. Appuyez sur le bouton d'alimentation pour mettre le système UltraFill sous tension. Les voyants vert, jaune et rouge de l'indicateur de niveau clignotent et le système émet un bip. Puis les indicateurs de niveau jaune et rouge s'éteignent et l'indicateur de niveau vert s'allume en continu.
3. Vérifiez que l'EO ou le détendeur est désactivé (position « OFF » [Arrêt]).

Remarque: Si vous remplissez la bouteille sans EO ou détendeur raccordé, fermez la valve de la bouteille pour garantir le remplissage correcte de la bouteille.



Pour connecter la bouteille:

1. Enlevez les capuchons de protection du connecteur de la bouteille d'oxygène et du connecteur de remplissage de la bouteille.
2. Alignez et placez le connecteur de remplissage de la bouteille dans le connecteur de la bouteille d'oxygène.
3. Poussez légèrement la bouteille dans le connecteur de la bouteille d'oxygène.



Remplissage d'une bouteille

Vous pouvez lancer le processus de remplissage une fois la bouteille correctement connectée.

1. Appuyez sur le bouton Marche/Arrêt.
2. Au fur et à mesure que la bouteille d'oxygène se remplit, les indicateurs de niveau du système UltraFill s'allument. Le premier indicateur de niveau clignote lors du remplissage de la bouteille d'oxygène. Il s'allume en continu lorsqu'un quart de la bouteille est rempli. Au fur et à mesure que la bouteille d'oxygène continue de se remplir, les indicateurs de niveau clignotent puis s'allument.
3. Tous les indicateurs sont allumés en continu lorsque la bouteille est pleine. Le système UltraFill se met automatiquement hors tension et la bouteille peut être déconnectée.

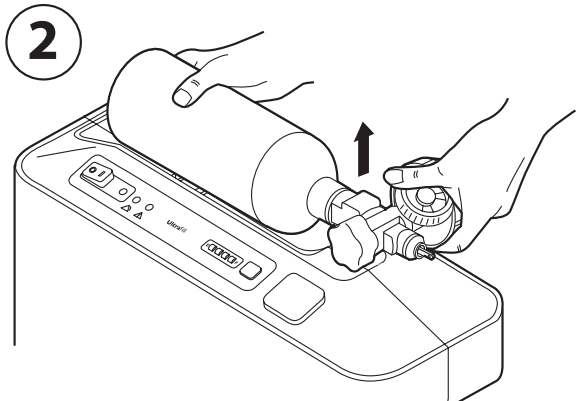
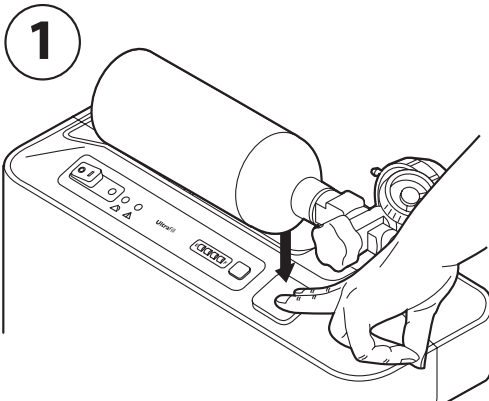
Remarque: La bouteille peut être retirée avant qu'elle ne soit complètement pleine. Pour cela, il vous suffit de suivre les étapes indiquées dans la section « Déconnexion de la bouteille ».

Remarque: Si le voyant jaune est allumé en continu et le voyant rouge clignote avec une alarme sonore continue, la pureté de l'O₂ de la bouteille a chuté en deçà de 90 %. Retirez et videz la bouteille (consultez les sections « Déconnexion d'une bouteille » et « Vidage d'une bouteille » dans ce manuel). Pour plus d'informations, reportez-vous au « Guide de dépannage » dans ce manuel. Si le problème persiste, contactez votre prestataire de soins à domicile.

Taille de la bouteille	Volume (l)	Temps de remplissage typiques
135 bar		
M4	103	45 min
M6	148	1 h 5 min
M9	246	1 h 50 min
MD15	413	3 h 5 min
ME24	679	5 h
200 bar		
MB08	232	1 h 45 min
MC13	354	2 h 35 min
MD22	604	4 h 25 min
ME36	992	7 h 20 min

Déconnexion d'une bouteille

1. Appuyez sur le bouton de déverrouillage de la bouteille sur le panneau de commande. La bouteille se déconnecte et les indicateurs de niveau de remplissage s'éteignent.
2. Enlevez la bouteille du connecteur de bouteille d'oxygène.

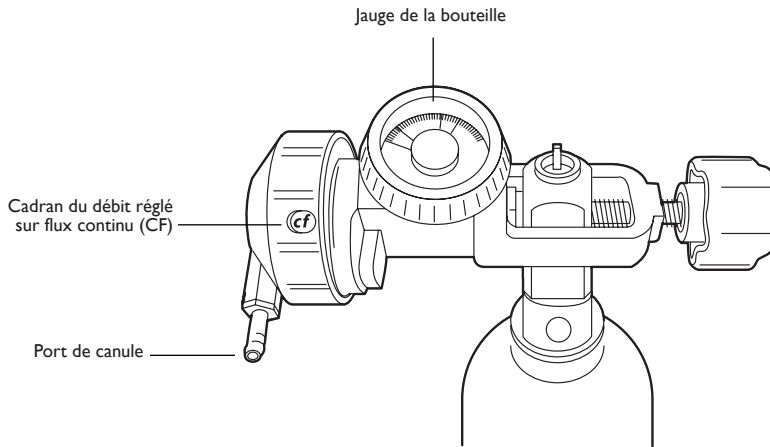


Répétez les étapes précédentes pour remplir des bouteilles supplémentaires. Si vous avez terminé de remplir des bouteilles, remplacez les couvercles du connecteur de remplissage en oxygène sur le système UltraFill et les bouteilles.

Vidage d'une bouteille

Si la pureté de l'O₂ contenu dans la bouteille a chuté en deçà de 90 %, la bouteille doit être vidée.

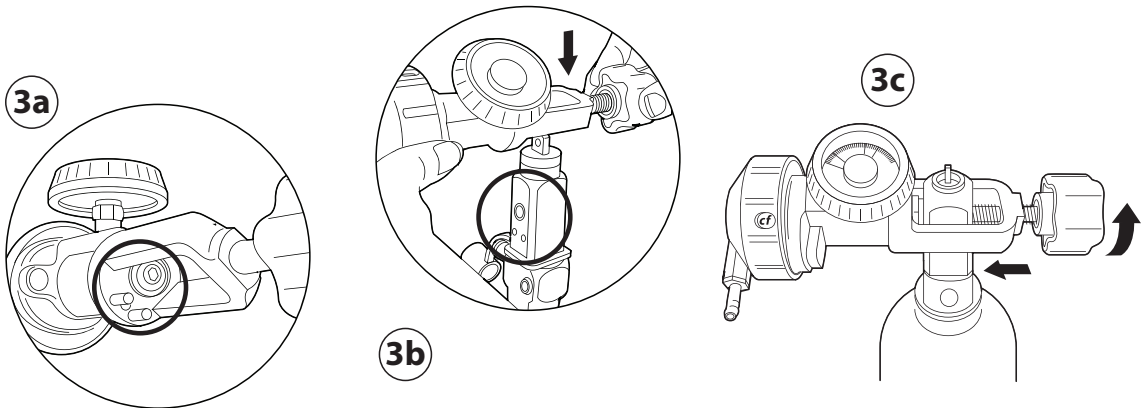
Pour vider votre bouteille d'O₂, réglez votre économiseur ou votre détendeur sur le réglage de débit continu le plus élevé et attendez qu'elle se vide. Une fois la bouteille vidée, elle peut être à nouveau remplie (veuillez consulter la section consacrée au remplissage d'une bouteille).



Respiration à partir de la bouteille

Pour utiliser la bouteille, suivez les étapes ci-dessous.

1. Avant toute utilisation, inspectez la bouteille à la recherche de tout dommage apparent. N'utilisez pas la bouteille en cas de dommages constatés.
2. Vérifiez que la bouteille est remplie d'oxygène. Si ce n'est pas le cas, remplissez-la au moyen du système UltraFill. Reportez-vous à la section intitulée Remplissage de la bouteille pour plus d'instructions quant à la façon de vérifier le niveau d'oxygène et de remplir la bouteille.
3. Si l'économiseur ou le détendeur n'a pas déjà été raccordé, le placez sur la bouteille (consultez l'illustration ci-dessous) et ouvrez le robinet de la bouteille.
 - » Localisez la connexion CGA-870 sur l'EO ou le détendeur et faites-le correspondre à la connexion de la bouteille (3a).
 - » Localisez la connexion CGA-870 de la bouteille et raccordez l'EO ou le détendeur (3b).
 - » Vissez la molette pour fixer l'EO ou le détendeur en place sur la bouteille (3c).



4. Connectez une canule nasale à une lumière standard sur la cannelure de la canule. Veillez à ce que le tuyau de la canule ne dépasse pas 2,1 m.
5. Vérifiez que l'économiseur ou le détendeur est réglé sur la position appropriée prescrite par votre médecin.
6. Réglez la canule autour de votre visage, de manière à ce qu'elle soit correctement et confortablement ajustée. Respirez normalement.
7. Lorsque la bouteille n'est pas utilisée, mettez le bouton de réglage de l'EO ou du détendeur en position désactivée (OFF [Arrêt]).

Durées d'utilisation des bouteilles

La dose pulsée varie du profil respiratoire d'une personne à l'autre. La durée d'utilisation varie en fonction de la prescription du patient, de la fréquence respiratoire et du type d'économiseur utilisé. Toutes les durées d'utilisation sont calculées à partir du réglage 2 à une fréquence respiratoire de 20 respirations par minute pour la dose pulsée.

Respironics vous livre votre système avec un économiseur d'oxygène (CHAD Therapeutics Bonsai) et deux détendeurs (CHAD Therapeutics 4800 et 3100). Les durées d'utilisation sont calculées ci-dessous:

		Durée (aux réglages Bonsai)							
	Volume (l)	1	2	3	4	5	6	7	CF de 2 l/min
Bouteille Type									
M4	103	6 h 26 min	3 h 51 min	2 h 45 min	2 h 9 min	1 h 53 min	1 h 43 min	1 h 27 min	52 min
M6	148	9 h 15 min	5 h 33 min	3 h 57 min	3 h 5 min	2 h 43 min	2 h 28 min	2 h 6 min	1 h 14 min
M9	246	15 h 23 min	9 h 14 min	6 h 34 min	5 h 8 min	4 h 31 min	4 h 6 min	3 h 29 min	2 h 3 min
MD15	413	25 h 48 min	15 h 29 min	11 h 1 min	8 h 36 min	7 h 34 min	6 h 53 min	5 h 51 min	3 h 27 min
ME24	679	42 h 26 min	25 h 28 min	18 h 6 min	14 h 9 min	12 h 27 min	11 h 19 min	9 h 37 min	5 h 40 min
MB08	232	14 h 30 min	8 h 42 min	6 h 11 min	4 h 50 min	4 h 15 min	3 h 52 min	3 h 17 min	1 h 56 min
MC13	354	22 h 8 min	13 h 17 min	9 h 26 min	7 h 23 min	6 h 29 min	5 h 54 min	5 h 1 min	2 h 57 min
MD22	604	37 h 45 min	22 h 39 min	16 h 6 min	12 h 35 min	11 h 4 min	10 h 4 min	8 h 33 min	5 h 2 min
ME36	992	62 h	37 h 12 min	26 h 27 min	20 h 40 min	18 h 11 min	16 h 32 min	14 h 3 min	8 h 16 min

Détendeur	Volume (l)	Durée (aux réglages CF)										
		0,5	1	2	3	4	5	6	8	10	12	15
Bouteille Type												
M4	103	3 h 26 min	1 h 43 min	51 min	34 min	26 min	21 min	17 min	13 min	10 min	9 min	7 min
M6	148	4 h 56 min	2 h 28 min	1 h 14 min	49 min	37 min	30 min	25 min	19 min	15 min	12 min	10 min
M9	246	8 h 12 min	4 h 6 min	2 h 3 min	1 h 22 min	1 h 2 min	49 min	41 min	31 min	25 min	21 min	16 min
MD15	413	13 h 46 min	6 h 53 min	3 h 26 min	2 h 18 min	1 h 43 min	1 h 23 min	1 h 9 min	52 min	41 min	34 min	28 min
ME24	679	22 h 38 min	11 h 19 min	5 h 39 min	3 h 46 min	2 h 50 min	2 h 16 min	1 h 53 min	1 h 25 min	1 h 8 min	57 min	45 min
MB08	232	7 h 44 min	3 h 52 min	1 h 56 min	1 h 17 min	58 min	46 min	39 min	29 min	23 min	19 min	16 min
MC13	354	11 h 48 min	5 h 54 min	2 h 57 min	1 h 58 min	1 h 29 min	1 h 11 min	59 min	44 min	35 min	30 min	24 min
MD22	604	20 h 8 min	10 h 4 min	5 h 2 min	3 h 21 min	2 h 31 min	2 h 1 min	1 h 41 min	1 h 16 min	1 h	50 min	40 min
ME36	992	33 h 4 min	16 h 32 min	8 h 16 min	5 h 31 min	4 h 8 min	3 h 18 min	2 h 45 min	2 h 4 min	1 h 39 min	1 h 23 min	1 h 6 min

GUIDE DE DÉPANNAGE

Station UltraFill

Problème	Cause possible	Mesure à prendre
L'interrupteur d'alimentation est en position de marche mais les voyants ne s'allument pas.	L'appareil n'est pas branché ou il y a une panne de courant.	Vérifiez la prise électrique et assurez-vous que l'appareil est branché.
La bouteille est connectée mais aucun voyant bleu ne s'allume.	La bouteille n'est pas complètement connectée.	Appuyez sur le bouton de déconnexion de la bouteille et retirez la bouteille. Vérifiez l'absence d'obstruction au niveau de la connexion de remplissage de la bouteille. Réessayez de connecter la bouteille en l'enfonçant fermement. NE LUBRIFIEZ PAS LE RACCORD DE LA BOUTEILLE AVEC DE L'HUILE OU DE LA GRAISSE. Si le problème persiste, contactez votre prestataire de soins à domicile.
La bouteille est connectée, au moins un voyant bleu est allumé, mais le remplissage ne commence pas.	La bouteille n'est pas complètement connectée. Défaillance d'une pièce interne.	Appuyez sur le bouton de déconnexion de la bouteille et retirez la bouteille. Vérifiez l'absence d'obstruction au niveau de la connexion de remplissage de la bouteille. Réessayez de connecter la bouteille en l'enfonçant fermement. NE LUBRIFIEZ PAS LE RACCORD DE LA BOUTEILLE AVEC DE L'HUILE OU DE LA GRAISSE. Si le problème persiste, contactez votre prestataire de soins à domicile.
Le voyant jaune clignote et un bip intermittent est émis.	Basse pression d'oxygène. Le robinet de la bouteille peut être ouvert. (Uniquement si l'EO ou le détendeur n'est pas raccordé.)	Appuyez sur le bouton Marche/Arrêt. Vérifiez que le concentrateur d'oxygène et le système UltraFill sont correctement connectés. Examinez le tuyau à la recherche de pliures ou d'obstructions. Si l'EO ou le détendeur n'est pas raccordé à la bouteille, vérifiez que le robinet de la bouteille est fermé. Si le problème persiste, contactez votre prestataire de soins à domicile.
Le voyant jaune est allumé.	Le système UltraFill a détecté une faible pureté de l'oxygène.	Appuyez sur le bouton Marche/Arrêt. Consultez le débitmètre du concentrateur et vérifiez que le flux est ≤ 3 l/mn (concentrateur de 5 l) ou ≤ 7 l/mn (concentrateur de 10 l). Attendez 5 minutes et appuyez sur le bouton Marche/Arrêt. Si le problème persiste, contactez votre prestataire de soins à domicile.

Problème	Cause possible	Mesure à prendre
Le voyant jaune s'allume, le voyant rouge clignote et l'alarme sonore retentit en continu.	La pureté moyenne de l'O ₂ contenu dans la bouteille est inférieure à 90 %.	Appuyez sur le bouton Arrêt. Déconnectez la bouteille de l'appareil et videz-la. N'utilisez pas la bouteille. Consultez le débitmètre du concentrateur et vérifiez que le flux est ≤ 3 l/mn (concentrateur de 5 l) ou ≤ 7 l/mn (concentrateur de 10 l). Attendez 5 minutes. Connectez une nouvelle bouteille et appuyez sur le bouton Marche. Si le problème persiste, contactez votre prestataire de soins à domicile.
Le voyant rouge s'allume et l'alarme sonore retentit en continu.	L'appareil a détecté un dysfonctionnement du système.	Mettez l'appareil hors tension et attendez 5 minutes. Remettez l'appareil en marche. Si le problème persiste, contactez votre prestataire de soins à domicile.
Un voyant bleu clignote mais la pression de la bouteille n'augmente pas.	Défaillance d'une pièce interne. Le robinet de la bouteille peut être ouvert. (Uniquement si l'EO ou le détendeur n'est pas raccordé.)	Appuyez sur le bouton de déconnexion de la bouteille et retirez la bouteille. Vérifiez l'absence d'obstruction au niveau de la connexion de remplissage de la bouteille. NE LUBRIFIEZ PAS LE RACCORD DE LA BOUTEILLE AVEC DE L'HUILE OU DE LA GRAISSE. Si l'EO ou le détendeur n'est pas raccordé à la bouteille, vérifiez que le robinet de la bouteille est fermé. Reconnectez la bouteille. Appuyez sur le bouton Marche. Si le problème persiste, contactez votre prestataire de soins à domicile.

Bouteille avec économiseur ou détendeur

Si votre bouteille ne fonctionne pas correctement, reportez-vous au tableau ci-après pour des solutions éventuelles. Si votre problème n'est pas indiqué ci-dessous, contactez votre prestataire de soins à domicile. Ne tentez aucune autre procédure d'entretien sinon celles indiquées ci-après.

Problème	Cause probable
La bouteille n'administre aucune impulsion lorsque je l'utilise.	<p>Vérifiez que la canule est correctement ajustée autour de votre nez et qu'elle n'a pas glissé sur le côté.</p> <p>Respirez uniquement par le nez, avec la bouche fermée. Si l'appareil portable n'administre toujours aucune impulsion, essayez chacune des solutions suivantes:</p> <ul style="list-style-type: none"> - Vérifiez que la canule n'est ni pincée, ni cassée, ce qui pourrait interrompre le flux d'air. - Vérifiez la fermeté de la connexion entre la canule et la bouteille. - En présence d'humidité dans la canule, remplacez celle-ci par une canule sèche. - Vérifiez que la bouteille contient de l'oxygène. - Vérifiez que l'économiseur est réglé sur la valeur prescrite par votre médecin. <p>Si un autre réglage est nécessaire, contactez votre prestataire de soins à domicile.</p>
Il n'y a aucun flux en provenance de ma bouteille.	<p>Vérifiez la jauge de niveau de l'oxygène pour voir si la bouteille est vide. Si tel est le cas, remplissez-la.</p> <p>Vérifiez que l'économiseur ou le détendeur est réglé sur la valeur prescrite par votre médecin.</p> <p>Si ces solutions ne résolvent pas le problème, contactez votre prestataire de soins à domicile.</p>
L'appareil administre des impulsions lorsque j'expire.	<p>Vérifiez que la canule n'est ni pincée, ni cassée, ce qui pourrait interrompre le flux.</p> <p>Si un autre réglage est nécessaire, contactez votre prestataire de soins à domicile.</p>
Mes durées d'utilisation sont différentes de celles indiquées dans ce manuel.	<p>Il est normal d'avoir des petits écarts par rapport aux valeurs fournies dans ce manuel. Cependant, si vos durées sont très différentes de celles indiquées dans ce manuel, il est possible qu'il y ait une fuite. Si vous êtes en mode de dose pulsée, il se peut que vous utilisiez un économiseur et un rapport d'économie différents. Contactez votre prestataire de soins à domicile.</p>

NETTOYAGE ET ENTRETIEN

Nettoyage

Avertissement: Débranchez le cordon d'alimentation de la prise électrique avant de nettoyer le boîtier du système UltraFill.

Avertissement: N'utilisez pas d'huile, de graisse ou de produits à base de pétrole sur ou à proximité de cet appareil.

Le boîtier extérieur de la station UltraFill peut être nettoyé avec un détergent ménager doux et un chiffon humide ou une éponge. Évitez d'utiliser de grandes quantités d'eau pour nettoyer l'appareil et n'utilisez pas de solvants à base de pétrole ou de décapants.

Essuyez l'appareil pour le sécher complètement une fois le nettoyage terminé.



Entretien

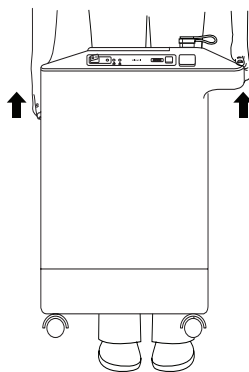
La station UltraFill ne nécessite aucune maintenance périodique. Un filtre antibactérien est situé à l'intérieur du système UltraFill. Il peut être remplacé à la discrétion du prestataire.

TRANSPORT DU SYSTÈME ULTRAFILL

Avertissement: Pour éviter tout renversement accidentel, ne tentez pas de déplacer le système UltraFill lorsqu'il est connecté à une bouteille.

En cours de fonctionnement, l'appareil doit être à la verticale et ses quatre roulettes doivent toucher le sol.

Utilisez les poignées de chaque côté du système UltraFill pour le soulever (consultez l'illustration). L'appareil peut être transporté dans n'importe quelle position. Vérifiez que le capuchon de protection recouvre le connecteur de la bouteille d'oxygène avant tout transport.



SPÉCIFICATIONS

Caractéristiques ambiantes

	En fonctionnement	Transport et stockage de l'appareil
Température:	Entre 12 et 32 °C	Entre -20 et 60 °C
Humidité relative:	20 à 90 % sans condensation	15 à 95 % sans condensation

Caractéristiques physiques

Taille: 64,8 cm
Poids: 20,4 kg

Caractéristiques électriques

Tension nominale: 120 V c.a., 60 Hz
Alimentation: 110 W
Intensité: 1,0 A à 120 V

Conformité aux normes

Cet appareil est conçu pour satisfaire aux normes suivantes:

- CEI 60601-1, 2e édition, Appareils électromédicaux – Partie 1: Exigences générales en matière de sécurité (plus les dérogations nationales)
- CEI 60601-1-2: 2001: Appareils électromédicaux – Partie 1-2: Exigences générales pour la sécurité – Norme collatérale: Compatibilité électromagnétique – Exigences et tests.

Classification CEI 60601-1

- Degré de protection contre les chocs électriques: Classe II
- Pièce appliquée de type B
- Protection contre l'infiltration de liquides: IPX1
- Service continu

Caractéristiques techniques des bouteilles

En fonctionnement

Température: Entre 5 et 40 °C
 Humidité relative: Entre 0 et 90 %, sans condensation

Transport et stockage

Entre – 20 et 54 °C
 Entre 0 et 90 %, sans condensation

Taille de la bouteille	Volume (l)	Typique Durées de remplissage	Poids à vide	Dimensions	Plage de fonctionnement de la pression du réservoir
135 bar					Entre 14 et 138 bar
M4	103	45 min	1,3 kg	81 mm x 324 mm (P x L)	
M6	148	1 h 5 min	1,4 kg	81 mm x 395 mm (P x L)	
M9	246	1 h 50 min	2,1 kg	112 mm x 365 mm (P x L)	
MD15	413	3 h 5 min	2,7 kg	112 mm x 507 mm (P x L)	
ME24	679	5 h	3,9 kg	112 mm x 735 mm (P x L)	
200 bar					Entre 14 et 207 bar
MB08	232	1 h 45 min	1,4 kg	81 mm x 395 mm (P x L)	
MC13	354	2 h 35 min	2,3 kg	112 mm x 365 mm (P x L)	
MD22	604	4 h 25 min	3 kg	112 mm x 509 mm (P x L)	
ME36	992	7 h 20 min	4,45 kg	112 mm x 738 mm (P x L)	

Mise au rebut

En fin de service, jetez le dispositif et ses accessoires en respectant la réglementation locale.

INFORMATIONS SUR LA COMPATIBILITÉ ÉLECTROMAGNÉTIQUE

RECOMMANDATIONS ET DÉCLARATION DU FABRICANT - ÉMISSIONS ÉLECTROMAGNÉTIQUES: Cet appareil est prévu pour être utilisé dans l'environnement électromagnétique ci-dessous. Il incombe à l'utilisateur de s'assurer qu'il est utilisé dans un tel environnement.


TEST D'ÉMISSIONS	CONFORMITÉ	ENVIRONNEMENT ÉLECTROMAGNÉTIQUE – DIRECTIVES
Émissions de RF CISPR 11	Groupe 1	Cet appareil utilise l'énergie RF uniquement pour son fonctionnement interne. Par conséquent, ses émissions radioélectriques sont très faibles et ne devraient pas provoquer de perturbations des équipements électroniques situés à proximité.
Émissions de RF CISPR 11	Classe B	L'appareil peut être utilisé dans tous les bâtiments, y compris dans les bâtiments résidentiels ou ceux directement connectés au réseau électrique public à basse tension approvisionnant les résidences.
Émissions harmoniques CEI 61000-3-2	S/O	Aucune exigence de test pour les appareils qui fonctionnent sous 115 V/60 Hz.
Fluctuations de tension/scintillement CEI 61000-3-3	S/O	

RECOMMANDATIONS ET DÉCLARATION DU FABRICANT – IMMUNITÉ ÉLECTROMAGNÉTIQUE: Cet appareil est prévu pour être utilisé dans l'environnement électromagnétique ci-dessous. Il incombe à l'utilisateur de s'assurer qu'il est utilisé dans un tel environnement.

TEST D'IMMUNITÉ	NIVEAU DE TEST CEI 60601	NIVEAU DE CONFORMITÉ	ENVIRONNEMENT ÉLECTROMAGNÉTIQUE –DIRECTIVES
Décharge électrostatique CEI 61000-4-2	±6 kV au contact ±8 kV dans l'air	±6 kV au contact ±8 kV dans l'air	Les sols doivent être en bois, en ciment ou en carrelage. Si les sols sont revêtus d'un matériau synthétique, l'humidité relative devra être d'au moins 30%.
Transitoires électriques rapides en salves CEI 61000-4-4	±2 kV pour les lignes d'alimentation électrique	±2 kV pour l'alimentation secteur	La qualité de l'alimentation secteur doit être celle d'un environnement hospitalier ou d'un local à usage d'habitation type.
Surtension CEI 61000-4-5	±1 kV entre phases	±1 kV entre phases	La qualité de l'alimentation secteur doit être celle d'un environnement hospitalier ou d'un local à usage d'habitation type.
Chutes de tension, courtes interruptions et variations de tension sur les lignes d'entrée d'alimentation CEI 61000-4-11	<5 % U_T (chute de U_T >95 %) pendant 0,5 cycle 40 % U_T (chute de U_T de 60 %) pendant 5 cycles 70 % U_T (chute de U_T de 30 %) pendant 25 cycles <5 % U_T (chute de U_T >95 %) pendant 5 secondes	<5 % U_T (chute de U_T >95 %) pendant 0,5 cycle 40 % U_T (chute de U_T de 60 %) pendant 5 cycles 70 % U_T (chute de U_T de 30 %) pendant 25 cycles <5 % U_T (chute de U_T >95 %) pendant 5 secondes	La qualité de l'alimentation secteur doit être celle d'un environnement hospitalier ou d'un local à usage d'habitation type. Si le fonctionnement continu de l'appareil est requis même sur une panne secteur, il est recommandé d'utiliser une alimentation sans coupure.
Champ magnétique à la fréquence du réseau (60 Hz) CEI 61000-4-8	3 A/m	3 A/m	Les champs magnétiques à la fréquence du réseau doivent se situer aux niveaux caractéristiques d'un emplacement type à l'intérieur d'un environnement hospitalier ou domestique.

Remarque: U_T représente la tension secteur avant application du niveau de test.

RECOMMANDATIONS ET DÉCLARATION DU FABRICANT – IMMUNITÉ ÉLECTROMAGNÉTIQUE: Cet appareil est prévu pour être utilisé dans l'environnement électromagnétique ci-dessous. Il incombe à l'utilisateur de s'assurer qu'il est utilisé dans un tel environnement.

TEST D'IMMUNITÉ	NIVEAU D'ESSAI CEI 60601	NIVEAU DE CONFORMITÉ	ENVIRONNEMENT ÉLECTROMAGNÉTIQUE – DIRECTIVES
Perturbations conduites RF CEI 61000-4-6	3V eff. 150 kHz à 80 MHz	3V	<p>Les équipements de communication RF portables et mobiles ne doivent pas être utilisés, par rapport à toute partie de l'appareil, y compris les câbles, à une distance inférieure à la distance de séparation recommandée calculée à partir de l'équation applicable à la fréquence de l'émetteur.</p> <p>Distance de séparation recommandée: $d = 1,2 \sqrt{P}$ 150 kHz à 80 MHz</p> <p>$d = 1,2 \sqrt{P}$ 80 à 800 MHz $d = 2,3 \sqrt{P}$ 800 MHz à 2,5 GHz</p> <p>où P est la puissance nominale de sortie maximum de l'émetteur en Watts (W), selon le fabricant de ce dernier et où d est la distance de dégagement recommandée en mètres (m).</p> <p>Les intensités de champ produites par des émetteurs RF fixes, déterminées par une étude électromagnétique du site^a, doivent être inférieures au niveau de conformité pour chaque plage de fréquences^b.</p> <p>Des interférences peuvent se produire à proximité des appareils marqués du symbole suivant: </p>
Perturbations rayonnées RF CEI 61000-4-3	3V/m Entre 80 MHz et 2,5 GHz	3V/m	

Remarque 1: À 80 et 800 MHz, la plage de fréquence supérieure est utilisée.

Remarque 2: Ces recommandations peuvent ne pas s'appliquer à toutes les situations. La propagation électromagnétique dépend de l'absorption et de la réflexion par les structures, les objets et les personnes.

a: Il n'est pas possible de prévoir avec exactitude la mesure des champs d'émetteurs fixes, tels que bases de téléphones radio (cellulaires/sans fil) et radios terrestres mobiles, équipements de radio-amateur, émetteurs radio AM et FM et de télévision. Pour évaluer l'environnement électromagnétique causé par des émetteurs à RF fixes, une étude électromagnétique du site doit être envisagée. Si l'intensité du champ mesuré à l'emplacement d'utilisation dépasse le niveau de conformité RF applicable ci-dessus, le bon fonctionnement de l'appareil doit être vérifié. En cas de performances anormales, des mesures supplémentaires peuvent être nécessaires, telles qu'une modification de l'orientation ou du positionnement de l'appareil.

b: Dans la plage des fréquences de 150 kHz à 80 MHz, les intensités de champ doivent être inférieures à 3V/m.

Distances de séparation recommandées entre les équipements de communication HF portables et mobiles et cet appareil: Cet appareil est conçu pour être utilisé dans un environnement électromagnétique où les perturbations RF rayonnées sont contrôlées. L'utilisateur de cet appareil peut réduire le risque d'interférences électromagnétiques en maintenant une distance minimum entre les équipements de communication HF (émetteurs) mobiles et portatifs et cet appareil, telle que la distance recommandée ci-dessous, en fonction de la puissance de sortie maximum de l'équipement de communication en question.

PUISSANCE MAXIMUM DE SORTIE NOMINALE DE L'ÉMETTEUR (W)	DISTANCE DE SÉPARATION EN FONCTION DE LA FRÉQUENCE DE L'ÉMETTEUR (m)		
	Entre 150 kHz et 80 MHz $d = 1,2 \sqrt{P}$	Entre 80 MHz et 800 MHz $d = 1,2 \sqrt{P}$	Entre 800 MHz et 2,5 GHz $d = 2,3 \sqrt{P}$
0,01	0,12	0,12	0,23
0,1	0,38	0,38	0,73
1	1,2	1,2	2,3
10	3,8	3,8	7,3
100	12	12	23

Pour les émetteurs dont la puissance maximale de sortie nominale n'est pas indiquée ci-dessus, la distance d recommandée de séparation en mètres (m) peut être estimée en utilisant l'équation applicable à la fréquence de l'émetteur, où P est la puissance maximum de sortie nominale de l'émetteur en watts (W) selon le fabricant de l'émetteur.

Remarque 1: À 80 MHz et 800 MHz, la distance de séparation correspondant à la plage supérieure de fréquence s'applique.

Remarque 2: Ces recommandations peuvent ne pas s'appliquer à toutes les situations. La propagation électromagnétique dépend de l'absorption et de la réflexion par les structures, les objets et les personnes.

GARANTIE LIMITÉE

Respironics, Inc. (« Respironics ») garantit le système UltraFill (le « Produit ») selon les modalités spécifiées aux paragraphes suivants.

Respironics garantit que le système UltraFill, sauf mention contraire dans le présent document, est exempt de vices de matériaux et de fabrication dans des conditions normales et adéquates d'utilisation et s'il est correctement entretenu, conformément aux instructions applicables, pendant une période de trois (3) ans ou une durée de cinq mille (5 000) heures (à la première échéance) à partir de la date d'expédition par Respironics à l'acheteur d'origine (la « Période de garantie »).

Respironics garantit que la bouteille et le robinet, sauf mention contraire dans le présent document, sont exempts de vices de matériaux et de fabrication dans des conditions normales et adéquates d'utilisation et s'ils sont correctement entretenus, conformément aux instructions applicables, pendant une période de trois (3) ans à partir de la date d'expédition par Respironics à l'acheteur d'origine (la « Période de garantie »).

Restrictions

Si un Produit, acheté auprès de Respironics, ne se trouve pas conforme à la garantie décrite ici pendant la période de garantie, ceci étant déterminé à la seule discrétion de Respironics, Respironics peut se décharger de son obligation de garantie en réparant ou en remplaçant le Produit, ceci à la seule discrétion de Respironics. Ceci peut être accompli en installant des ensembles ou des composants nouveaux ou remis à neuf, ou par d'autres réparations estimées appropriées à la seule discrétion de Respironics. Le choix de réparer ou de remplacer par Respironics restera le seul et unique recours de l'acheteur original. Respironics se réserve le droit, à sa seule discrétion de rembourser au prix d'achat plutôt que de réparer ou de remplacer par un autre Produit. En aucun cas, la responsabilité maximum de Respironics dans le cadre de cette garantie, ne pourra dépasser le prix payé à Respironics par l'acheteur d'origine pour le Produit.

Conditions

Cette garantie ne couvre ni les dommages ni les blessures, au produit ou à la propriété privée, ou à des personnes à la suite d'un accident, provoqués à la suite de la mauvaise utilisation, de l'abus, de la négligence, de l'incapacité d'installer conformément aux instructions de Respironics, de l'incapacité de faire fonctionner dans des conditions normales d'utilisation et conformément aux termes des instructions et du manuel de l'utilisateur, de l'incapacité de maintenir conformément au manuel d'entretien applicable, de modifications ou d'autres défauts qui ne sont pas relatifs aux matériels et à la main-d'œuvre sur le Produit.

Cette garantie ne couvre aucun dommage qui pourrait se produire pendant l'expédition. Cette garantie ne s'applique à aucun Produit ni pièce particulière d'un Produit qui aurait été réparé ou modifié par quiconque autre que Respironics ou un centre de réparation autorisé par Respironics. Cette garantie ne s'applique à aucun Produit qui n'a pas été acheté neuf.

Exclusions de garanties

HORMIS CE QUI EST INDIQUÉ DANS CETTE GARANTIE LIMITÉE, RESPIRONICS N'OFFRE AUCUNE GARANTIE, EXPLICITE OU IMPLICITE, STATUTAIRE OU AUTRE, CONCERNANT LE PRODUIT, SA QUALITÉ OU SES PERFORMANCES. RESPIRONICS REJETTE SPÉCIFIQUEMENT TOUTE GARANTIE IMPLICITE DE QUALITÉ MARCHANDE ET TOUTE GARANTIE IMPLICITE D'ADÉQUATION À UN OBJECTIF PARTICULIER. RESPIRONICS NE SAURAIT EN AUCUN CAS ÊTRE RESPONSABLE DU COÛT D'ACQUISITION DE PRODUITS DE REMPLACEMENT OU DE TOUT DOMMAGE INDIRECT,

SPÉCIAL, CONSÉCUTIF, PUNITIF, EXEMPLAIRE OU ACCESSOIRE (Y COMPRIS ET DE MANIÈRE NON LIMITATIVE DES PERTES COMMERCIALES OU DE REVENUS), POUR TOUTE CAUSE D'ACTION, QU'ELLE SOIT CONTRACTUELLE OU DÉLICTEUELLE, ET QUE RESPIRONICS AIT EU CONNAISSANCE OU NON DE CETTE POSSIBILITÉ DE DOMMAGES. HORMIS LES OBLIGATIONS CONTENUES DANS CETTE GARANTIE LIMITÉE, RESPIRONICS N'ASSUME AUCUNE OBLIGATION OU RESPONSABILITÉ POUR TOUTE AUTRE PERTE,

DOMMAGE OU BLESSURE RÉSULTANT DIRECTEMENT OU INDIRECTEMENT DE L'UTILISATION DU PRODUIT. LE SEUL ET UNIQUE RECOURS DE L'ACHETEUR EN CAS DE VIOLATION DES GARANTIES INDIQUÉES DANS CE DOCUMENT SERONT TELLES QUE CELLES FOURNIES DANS LE PARAGRAPHE DÉCRIVANT LES RESTRICTIONS.

Pour faire appliquer cette garantie, contactez votre fournisseur local Respironics agréé ou Respironics, Inc. à:

Respironics, Inc.
1001 Murry Ridge Lane
Murrysville, PA 15668 États-Unis

Deutschland
Gewerbstrasse 17
82211 Herrsching, Allemagne

Índice

Introducción	3
Cómo funciona el sistema.....	7
Guía para la solución de problemas.....	19
Limpieza y mantenimiento	22
Cómo transportar el sistema UltraFill.....	22
Especificaciones.....	23
Información sobre compatibilidad electromagnética	25
Garantía limitada	27

Símbolos



Siga las instrucciones de uso



Mantenga el dispositivo alejado de llamas expuestas



Mantenga una buena ventilación



Mantenga el dispositivo alejado de artefactos eléctricos



Prohibido fumar



Mantenga el dispositivo alejado de grasa o aceite



Corriente alterna



Mantenga la unidad en posición vertical



Pieza aplicada de tipo B



Dispositivo de clase II



Advertencia del sistema

IPX1

Equipo protegido contra goteos



Siga las instrucciones para mantener la estabilidad del equipo.



Falla del sistema

Definiciones

En este manual se utilizan las siguientes siglas y definiciones:

- lpm litros por minuto
- dBA decibeles
- CGA Compressed Gas Association (Asociación de Gas Comprimido)
- OPI Oxygen Percent Indicator (Indicador del porcentaje de oxígeno)
- OCD Oxygen Conserving Device (Conservador de oxígeno)
- CF Continuous Flow (Flujo continuo)

INTRODUCCIÓN

Uso previsto

El uso previsto para el sistema UltraFill es suministrar oxígeno suplementario a pacientes y oxígeno presurizado para llenar cilindros destinados al uso ambulatorio personal de los pacientes. No está previsto que el dispositivo actúe como equipo de soporte vital.

Descripción del dispositivo

El sistema UltraFill consiste de una estación de llenado de oxígeno, un concentrador de oxígeno compatible, uno o más cilindros de oxígeno y un conservador de oxígeno o regulador.

Mientras UltraFill llena un cilindro, el concentrador de 5 litros suministra al paciente un flujo de hasta un máximo de 3 lpm mientras llena el cilindro en forma continua. El sistema UltraFill no se puede utilizar con un concentrador de 5 litros si el flujo requerido para el paciente es superior a 3 lpm. Si el flujo requerido para el paciente es superior a 3 lpm, el concentrador Millennium M10 proporcionará un flujo de hasta 7 lpm como máximo.

Advertencias y precauciones

Advertencias

- Si al utilizar el sistema experimenta molestias o indicios de síntomas físicos poco comunes, comuníquese con su médico de inmediato.
- El oxígeno puede ocasionar una combustión rápida cuando se lo expone a una llama abierta. No permita que se utilicen objetos para fumar o que haya una llama expuesta cerca de esta unidad.
- No utilice productos con base de aceite, grasa o petróleo en esta unidad o cerca de ella.
- No fume mientras el dispositivo está en uso.
- Proteja el dispositivo contra derrames de líquidos sobre el dispositivo o cerca de él. No coloque bebidas sobre el dispositivo. No permita que ningún líquido entre en contacto con él. Contacte a su representante de atención al cliente en caso de que el dispositivo entre en contacto con algún líquido.
- No coloque objetos sobre la estación UltraFill ni permita que se cubra de modo alguno, ya que esto podría bloquear el flujo de aire hacia el dispositivo. Coloque la unidad en un lugar ventilado con las partes laterales y posterior a dos pies de distancia de cualquier objeto.
- No permita que niños o menores operen el sistema UltraFill. No permita que ningún niño juegue con el dispositivo o cerca de él sin la supervisión de un adulto.
- Para evitar una caída accidental, no intente mover el dispositivo UltraFill cuando haya un cilindro conectado.

- No utilice el sistema UltraFill si el enchufe o el cable de alimentación están dañados. No utilice extensiones eléctricas con el sistema UltraFill.
- No conecte el sistema UltraFill a un tomacorriente controlado por un interruptor de pared o a un interruptor con protección contra descargas. Asegúrese de que no haya otros dispositivos de alta potencia, como televisores, estéreos, computadoras, transmisores de radio, calentadores de ambiente, secadores de cabello, refrigeradores, hornos de microondas, hornos eléctricos u otros artefactos de gran tamaño conectados a ese tomacorriente.
- Peligro de descarga eléctrica: No quite el gabinete de la estación UltraFill. El gabinete lo debe quitar únicamente Respironics, Inc. o un agente capacitado.
- Antes de limpiar la caja protectora de la estación UltraFill, desconecte el cable de alimentación del tomacorriente eléctrico.
- Este equipo cumple con la norma IEC 60601-1-2 sobre compatibilidad electromagnética para equipos o sistemas eléctricos de uso médico. Dicha norma tiene por objeto proporcionar una protección razonable contra interferencias dañinas en una instalación médica normal. Sin embargo, debido a la proliferación de equipos transmisores de radiofrecuencia y otras fuentes de ruido eléctrico en los entornos de atención médica y de otro tipo, es posible que los niveles elevados de tal interferencia debido a la proximidad o a la potencia de una fuente puedan afectar al funcionamiento de este dispositivo. Los equipos médicos eléctricos requieren que se tengan precauciones especiales en relación con la compatibilidad electromagnética (CEM), y todos los equipos se deben instalar y poner en funcionamiento según la información sobre la CEM especificada en este manual.
- Tome medidas de precaución para evitar una descarga electrostática (ESD, por sus siglas en inglés). Estas medidas de precaución incluyen métodos para evitar la acumulación de descarga electrostática (como el aire acondicionado, la humidificación, recubrimientos de suelo conductores y ropa de materiales no sintéticos), que descarguen el cuerpo de la persona al bastidor del equipo o del sistema, a tierra o a un objeto metálico grande, y utilizar un brazaletе conectado al equipo, al sistema o a tierra.
- Se deben inspeccionar todos los cilindros antes de llenarlos. De lo contrario, se podrían producir lesiones o daños.
- No llene los cilindros que no hayan sido probados en los últimos 5 años. De lo contrario, se pueden producir lesiones personales graves. Comuníquese con su distribuidor para cualquier reemplazo.
- Nunca utilice herramientas de ningún tipo para desconectar el cilindro de la estación UltraFill. De lo contrario, se podrían producir lesiones o daños graves.
- No permita que los cilindros de oxígeno se caigan. Al manipular o transportar los cilindros de oxígeno, utilice ambas manos. De lo contrario, se podrían producir lesiones o daños.
- No utilice un detector de pérdidas de líquido para buscar pérdidas.
- Cuando regule el flujo de oxígeno, no lo apunte hacia ninguna persona ni ningún material inflamable.
- Cuando la aguja indicadora del contenido del cilindro se encuentre en la zona de color rojo, se recomienda cargar el cilindro.
- No hay suministro de oxígeno entre una posición de ajuste del cilindro y otra. Para obtener el flujo deseado, la aguja indicadora debe estar alineada con un número específico en el indicador.
- Para evitar lesiones, confirme siempre la posición de ajuste indicada antes de administrarle oxígeno al paciente.

Precauciones

- No utilice soluciones limpiadoras.
- No sumerja los cilindros en ningún tipo de líquido.

A lo largo de este manual encontrará otras advertencias, precauciones y notas.

Compatibilidad con dispositivos para la administración de oxígeno

La estación de llenado de oxígeno para el hogar UltraFill es compatible con los siguientes dispositivos:

Concentradores

Concentrador de oxígeno estacionario EverFlo de Respironics

Concentrador de oxígeno estacionario EverFlo Q de Respironics

Concentrador Millennium Serie M600 y M605 de Respironics

Concentrador Millennium M10 de Respironics

Cilindros

Cilindros de oxígeno UltraFill de Respironics para 135 bar:

- M4
- M6
- M9
- MD15
- ME24

Cilindros de oxígeno UltraFill de Respironics para 200 bar :

- MB08
- MC13
- MD22
- ME36

Conservadores y reguladores de oxígeno

- Bonsai de CHAD Therapeutics
- Regulador 4800 de CHAD Therapeutics
- Regulador 3100 de CHAD Therapeutics
- Regulador pediátrico 3100 de CHAD Therapeutics

Nota: Los cilindros UltraFill para 135 bar y 200 bar están equipados para conectarse con cualquier conservador o regulador compatible mediante la conexión CGA-870. Es importante asegurarse de que el conservador o regulador haya sido diseñado, fabricado y probado para utilizarse con la capacidad nominal de presión del cilindro. El regulador 3100 de CHAD Therapeutics y el conservador Bonsai, que ofrece Respironics, han sido diseñados, fabricados y probados para utilizarse tanto con los cilindros para 135 bar como con los cilindros para 200 bar.

Accesorios

- Bolsa portacilindro (Pequeña: M9/MC13; Mediana: M4/M6/MB08; Grande: MD15/MD22)
- Carro portacilindro (Para los tamaños de cilindros: MD15/MD22/ME24/ME36)
- Cilindros
 - » 135 bar: M4, M6, M9, MD15, ME24
 - » 200 bar: MB08, MC13, MD22, ME36
- Bonsai de CHAD Therapeutics
- Regulador 4800 de CHAD Therapeutics
- Regulador 3100 de CHAD Therapeutics
- Regulador pediátrico 3100 de CHAD Therapeutics

Cómo ponerse en contacto con Respironics

Para realizar el mantenimiento de la unidad, comuníquese con su proveedor de servicios médicos. Si necesita ponerse en contacto con Respironics directamente, llame al departamento de Atención al cliente de Respironics al 1-724-387-4000, o bien a Respironics Deutschland al +49 8152 93060. También puede utilizar la siguiente dirección:

Respironics, Inc.
1001 Murry Ridge Lane
Murrysville, PA 15668 EE. UU.

Deutschland
Gewerbstrasse 17
82211 Herrsching, Alemania

CÓMO FUNCIONA EL SISTEMA

La estación de llenado de oxígeno para el hogar UltraFill llena los cilindros de oxígeno de Respironics con oxígeno gaseoso suministrado por un concentrador de oxígeno.

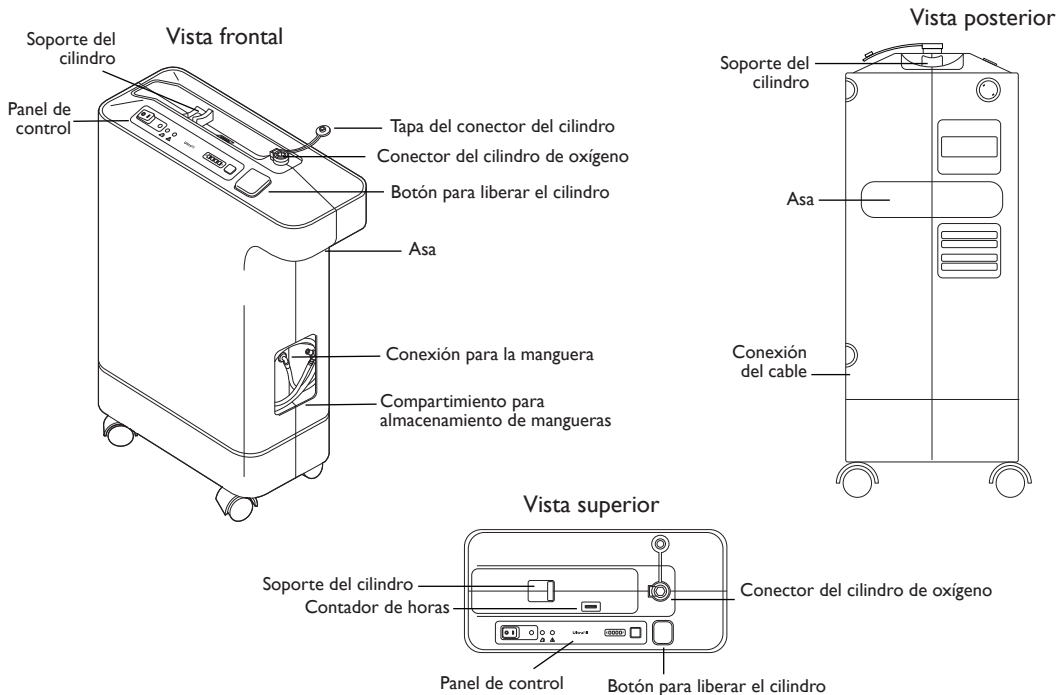
La estación UltraFill se acopla al concentrador mediante una manguera neumática. El concentrador de oxígeno toma aire del ambiente y alimenta la unidad UltraFill con aire enriquecido con oxígeno. La unidad UltraFill comprime el oxígeno en un cilindro a una presión muy elevada. Este cilindro luego se puede utilizar como fuente de oxígeno ambulatoria. Mientras el cilindro se está llenando, usted puede seguir respirando desde un concentrador de 5 litros para índices de flujo de hasta 3 lpm y desde un concentrador de 10 litros para niveles de flujo de hasta 7 lpm.

La estación UltraFill se utiliza exclusivamente para llenar un cilindro. No se puede respirar gas oxigenado directamente desde la estación. No está previsto que este dispositivo actúe como un equipo de soporte vital.

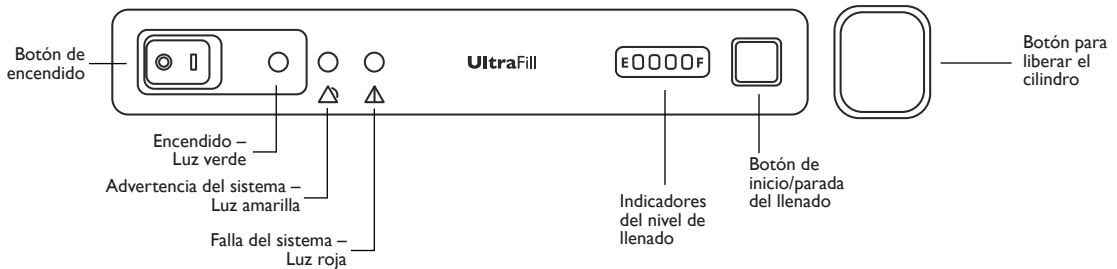
Para asegurar el uso correcto de este dispositivo, antes de intentar ponerlo en funcionamiento lea detenidamente la información de este manual. Después de leer este manual, guárdelo en un lugar seguro donde pueda consultarlo siempre que surja alguna pregunta.



Primeros pasos

Comience por familiarizarse con su UltraFill y con el panel de control.



Panel de control



Descripción	Color	Función	Modos
Botón de encendido	Apagado – Ninguno Encendido – Verde	Cuando el interruptor se gira de tal modo que el símbolo “I” queda hacia abajo, el dispositivo puede ser operado.	Apagado: el dispositivo está apagado; no hay conexión con la red de suministro eléctrico. Luz verde encendida: el dispositivo está encendido y no se detectan fallas.
Advertencia del sistema 	Amarillo	Cuando está encendida, indica que el dispositivo ha detectado una posible falla. La alarma sonora no se apaga hasta que el usuario detenga el proceso de llenado y revise el dispositivo.	Apagada: no se detecta ningún problema en el sistema. Amarilla intermitente con un pitido periódico: el dispositivo ha detectado una falla de presión baja o alta. Amarilla permanente: el dispositivo ha detectado un posible problema en la pureza del O ₂ . Amarilla permanente y roja intermitente con una alarma sonora constante: el dispositivo ha detectado un problema en la pureza del O ₂ del cilindro del oxígeno.
Falla del sistema 	Rojo	Cuando se enciende, indica que el dispositivo ha detectado una falla que requiere el servicio técnico del proveedor. El dispositivo ha interrumpido el llenado y no lo reanuda hasta que se haya solucionado el problema.	Apagada: no se han detectado fallas en el sistema. Encendida de forma permanente con alarma sonora constante: el dispositivo ha detectado un problema que impide su funcionamiento. Comuníquese con su proveedor de servicios médicos para la reparación.

Manual del usuario de UltraFill

Descripción	Color	Función	Modos
Indicador del nivel de llenado	Azul	Cuando al menos un segmento está encendido, indica que el cilindro está conectado correctamente al dispositivo.	Segmento apagado: el cilindro no está conectado, o no está conectado correctamente, al dispositivo.
		Cuando un segmento parpadea, el cilindro se está llenando. Cada segmento encendido de manera permanente representa un 25% del volumen de llenado del cilindro.	Un segmento intermitente: el dispositivo está llenando el cilindro.
		Cuando los cuatro segmentos están encendidos de manera permanente, el cilindro está lleno y se puede desconectar del dispositivo.	Todos los segmentos encendidos de manera permanente: el cilindro está lleno.
Botón de inicio/parada del llenado	Negro	Cuando se presiona, el dispositivo inicia o detiene el proceso de llenado del cilindro.	Inicio: el cilindro comenzará a llenarse, siempre y cuando esté conectado correctamente.
			Parada: el cilindro dejará de llenarse.
Botón para liberar el cilindro	Azul	Cuando se presiona, el cilindro se desconecta del dispositivo.	Conectado: se iluminará al menos un segmento del indicador del nivel de llenado.
			Desconectado: no habrá ningún segmento iluminado en el indicador del nivel de llenado.

Cómo usar el sistema UltraFill

Preparación inicial

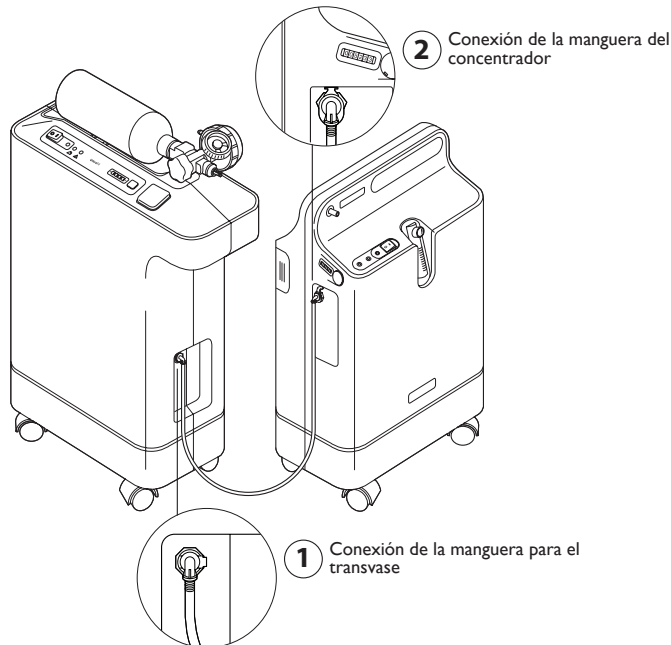
1. Coloque el sistema UltraFill en un área adecuada (consulte la sección Especificaciones de este manual).
2. Coloque la unidad UltraFill en una habitación con ventilación adecuada. Los costados y la parte posterior deben estar, como mínimo, a 24 pulgadas de los demás objetos.
3. Conecte la unidad UltraFill a un tomacorriente estándar de 120 V. No conecte el sistema UltraFill a un tomacorriente controlado por un interruptor de pared o a un interruptor con protección contra descargas. Asegúrese de que no haya otros dispositivos de alta potencia como televisores, estéreos, computadoras, refrigeradores, hornos de microondas, hornos eléctricos u otros artefactos de gran tamaño conectados a ese tomacorriente.

Cómo conectar un concentrador de oxígeno

Advertencia: para evitar una caída accidental, no intente mover el dispositivo UltraFill cuando haya un cilindro conectado.

Nota: el concentrador de oxígeno que se utiliza con el sistema UltraFill puede verse diferente del que aparece en la ilustración.

1. Asegúrese de que un extremo de la manguera esté conectado a la conexión de salida para el transvase.
2. Conecte el otro extremo de la manguera a la conexión de salida del concentrador.



Cómo examinar el cilindro

Antes de usar o llenar el cilindro:

1. Examine el exterior del cilindro para determinar la presencia de:
 - » abolladuras o hendiduras
 - » grasa o aceite
 - » cualquier otro signo de que posiblemente no sea seguro utilizar el cilindro
2. Examine el cilindro para detectar daños provocados por calor o fuego.
3. Examine el conector de llenado del cilindro para detectar: desechos, grasa o aceite
 - » signos de daños evidentes
 - » signos de calor excesivo o daños causados por fuego
 - » signos de corrosión en el interior de la válvula

Si se descubre alguna de las condiciones mencionadas, llame a su proveedor de servicios médicos para que reemplace el cilindro.

Cómo conectar el cilindro

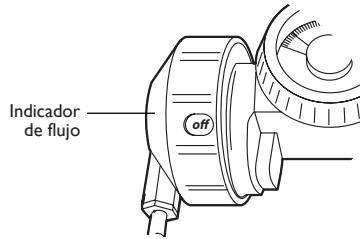
Antes de conectar el cilindro:

1. Asegúrese de que el sistema UltraFill esté conectado a un tomacorriente y de que el concentrador esté encendido.

Nota: espere a que el concentrador se caliente durante 5 minutos antes de llenar un cilindro.

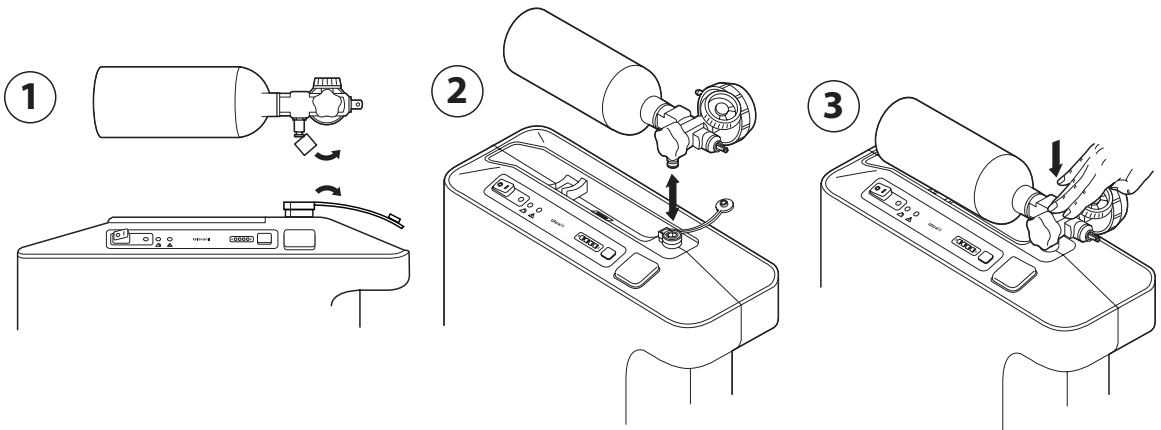
2. Presione el botón "Power" para encender la unidad UltraFill. Las luces de color verde, amarillo y rojo que indican el nivel parpadearán y el sistema emitirá un pitido. Luego, los indicadores de nivel de color amarillo y rojo se apagarán y la luz indicadora de nivel color verde se mantendrá encendida de manera permanente.
3. Verifique que el OCD o el regulador estén en la posición "OFF" (apagado).

Nota: si se está llenando el cilindro sin tener un OCD o un regulador conectado, cierre la válvula del cilindro para asegurarse de que el cilindro se llene adecuadamente.



Para conectar el cilindro:

1. Retire las tapas protectoras del conector del cilindro de oxígeno y del conector de llenado de cilindros.
2. Alinee el conector de llenado de cilindros y colóquelo dentro del conector del cilindro de oxígeno.
3. Empuje el cilindro suavemente dentro del conector del cilindro de oxígeno.



Cómo llenar un cilindro

Una vez que el cilindro esté conectado correctamente, puede comenzar con el proceso de llenado.

1. Presione el botón de inicio/parada.
2. A medida que el cilindro se llene, los indicadores de nivel de la unidad UltraFill se iluminarán. El primer indicador de nivel parpadea mientras el cilindro de oxígeno se llena, luego queda encendido de manera permanente cuando se ha llenado un 25% del dispositivo. Mientras el cilindro de oxígeno continúe llenándose, cada indicador de nivel parpadeará y luego quedará encendido de manera permanente.
3. Cuando el cilindro esté lleno, todos los indicadores de nivel quedarán encendidos de manera permanente. La unidad UltraFill se apagará automáticamente y se podrá desconectar el cilindro.

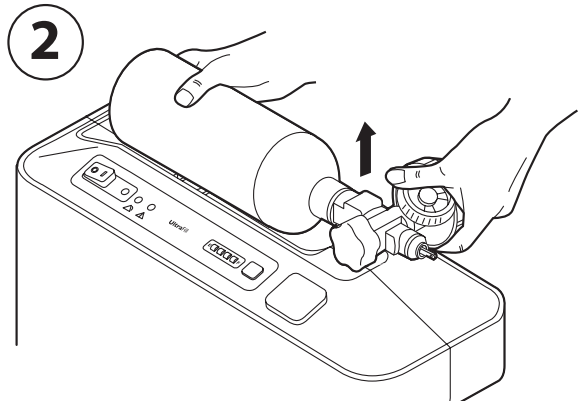
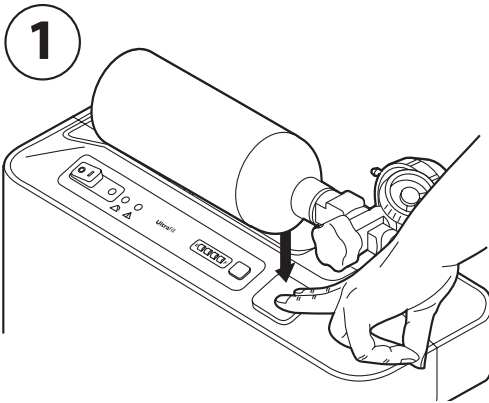
Nota: se puede quitar el cilindro antes de que esté completamente lleno. Simplemente siga los pasos que se detallan en la sección titulada “Cómo desconectar un cilindro”.

Nota: si el LED de color amarillo está encendido de manera permanente y el LED de color rojo se enciende de forma intermitente con una alarma sonora constante, la pureza del O₂ en el cilindro ha disminuido a menos del 90%. Retire el cilindro y vacíelo (consulte las secciones de este manual tituladas “Como desconectar un cilindro” y “Cómo vaciar un cilindro”). Consulte la “Guía para la solución de problemas” de este manual, para obtener más información. Si el problema persiste, comuníquese con su proveedor de servicios médicos.

Tamaño del cilindro	Volumen (litros)	Tiempos de llenado normales
135 bar		
M4	103	45 min
M6	148	1 h 5 min
M9	246	1 h 50 min
MD15	413	3 h 5 min
ME24	679	5 h
200 bar		
MB08	232	1 h 45 min
MC13	354	2 h 35 min
MD22	604	4 h 25 min
ME36	992	7 h 20 min

Cómo desconectar un cilindro

1. Presione el botón para liberar el cilindro en el panel de control. El cilindro se desconectará y los indicadores del nivel de llenado se apagarán.
2. Quite el cilindro del conector del cilindro de oxígeno.

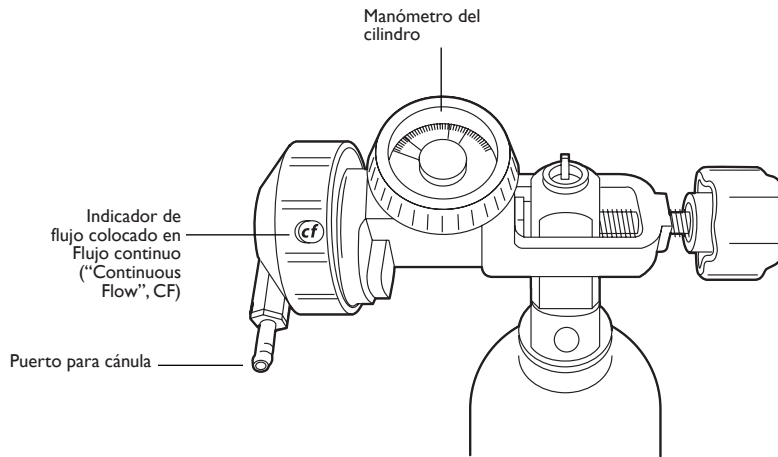


Para llenar otros cilindros, repita los pasos anteriores. Si terminó de llenar los cilindros, vuelva a colocar las tapas del conector de llenado de oxígeno en la unidad UltraFill y en los cilindros.

Cómo vaciar un cilindro

Si la pureza del O₂ del cilindro ha disminuido a menos del 90%, se deberá vaciar el cilindro.

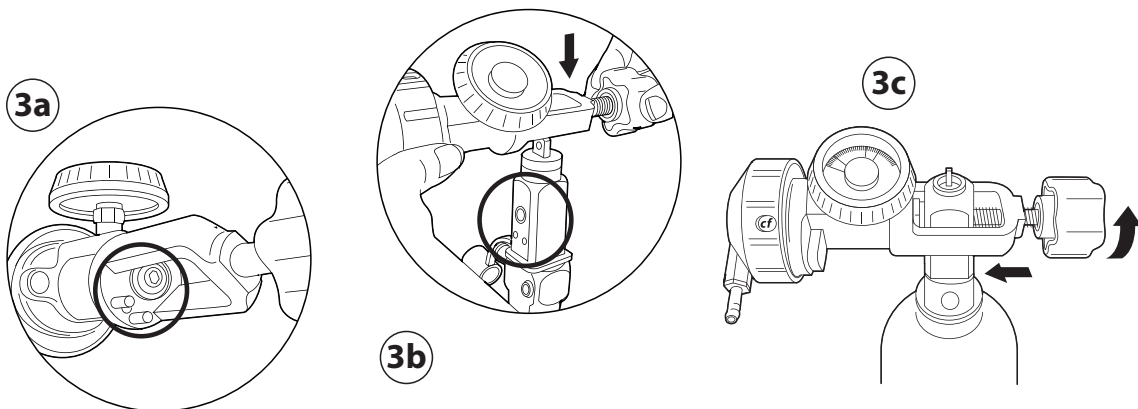
Para vaciar un cilindro de O₂, coloque el conservador o el regulador en la posición de flujo continuo más alta y espere hasta que se vacíe. Una vez que el cilindro se haya vaciado, se puede volver a llenar (Consulte la sección “Cómo llenar un cilindro”).



Cómo respirar del cilindro

Para usar el cilindro, realice los siguientes pasos.

1. Antes de usar, inspeccione el cilindro para detectar daños visibles. Si encuentra daños, no utilice el cilindro.
2. Asegúrese de que el cilindro se encuentre lleno con oxígeno. Si no es así, llénelo con el dispositivo UltraFill. Consulte la sección titulada “Cómo llenar el cilindro”, para obtener instrucciones sobre cómo verificar el nivel de oxígeno y cómo llenar el cilindro.
3. Si aún no se ha conectado el conservador o el regulador, colóquelo en el cilindro (vea la ilustración de más abajo) y abra la válvula posterior del cilindro.
 - » Localice la conexión CGA-870 en el OCD/regulador y hágala coincidir con la conexión del cilindro (3a).
 - » Localice la conexión CGA-870 en el cilindro y conecte el OCD/regulador (3b).
 - » Gire y apriete la perilla de la derecha para fijar la posición del OCD/regulador en el cilindro (3c).



4. Conecte una cánula nasal estándar de una sola apertura en la punta para la cánula. Asegúrese de que la manguera de la cánula no mida más de 2,1 m.
5. Asegúrese de que el conservador o el regulador se coloquen en el ajuste correcto, según las indicaciones de su médico.
6. Ajuste la cánula alrededor del rostro de modo tal que se ubique correctamente y le quede cómoda. Respire con normalidad.
7. Cuando el cilindro no esté en uso, coloque el control del OCD o del regulador en la posición “OFF” (apagado).

Tiempos de uso de los cilindros

La dosis por pulso variará según los patrones respiratorios de cada persona. El tiempo de uso variará según las indicaciones para el paciente, la frecuencia respiratoria y el tipo de conservador usado. Todos los tiempos de uso se calculan considerando un ajuste de 2 y con una frecuencia respiratoria de 20 inspiraciones por minuto para la dosis por pulso.

Respironics incluirá un conservador de oxígeno (el Bonsai de CHAD Therapeutics) y dos reguladores (el 4800 y el 3100 de CHAD Therapeutics) con el paquete del sistema. Los tiempos de uso se calculan a continuación:

		Duración (con los ajustes del Bonsai)							
	Volu- men (litros)	1	2	3	4	5	6	7	2 lpm CF
tipo de cilindro									
M4	103	6 h 26 min	3 h 51 min	2 h 45 min	2 h 9 min	1 h 53 min	1 h 43 min	1 h 27 min	52 min
M6	148	9 h 15 min	5 h 33 min	3 h 57 min	3 h 5 min	2 h 43 min	2 h 28 min	2 h 6 min	1 h 14 min
M9	246	15 h 23 min	9 h 14 min	6 h 34 min	5 h 8 min	4 h 31 min	4 h 6 min	3 h 29 min	2 h 3 min
MD15	413	25 h 48 min	15 h 29 min	11 h 1 min	8 h 36 min	7 h 34 min	6 h 53 min	5 h 51 min	3 h 27 min
ME24	679	42 h 26 min	25 h 28 min	18 h 6 min	14 h 9 min	12 h 27 min	11 h 19 min	9 h 37 min	5 h 40 min
MB08	232	14 h 30 min	8 h 42 min	6 h 11 min	4 h 50 min	4 h 15 min	3 h 52 min	3 h 17 min	1 h 56 min
MC13	354	22 h 8 min	13 h 17 min	9 h 26 min	7 h 23 min	6 h 29 min	5 h 54 min	5 h 1 min	2 h 57 min
MD22	604	37 h 45 min	22 h 39 min	16 h 6 min	12 h 35 min	11 h 4 min	10 h 4 min	8 h 33 min	5 h 2 min
ME36	992	62 h	37 h 12 min	26 h 27 min	20 h 40 min	18 h 11 min	16 h 32 min	14 h 3 min	8 h 16 min

Regulador	Volumen (litros)	Duración (con los ajustes del CF)										
		0,5	1	2	3	4	5	6	8	10	12	15
tipo de cilindro												
M4	103	3 h 26 min	1 h 43 min	51 min	34 min	26 min	21 min	17 min	13 min	10 min	9 min	7 min
M6	148	4 h 56 min	2 h 28 min	1 h 14 min	49 min	37 min	30 min	25 min	19 min	15 min	12 min	10 min
M9	246	8 h 12 min	4 h 6 min	2 h 3 min	1 h 22 min	1 h 2 min	49 min	41 min	31 min	25 min	21 min	16 min
MD15	413	13 h 46 min	6 h 53 min	3 h 26 min	2 h 18 min	1 h 43 min	1 h 23 min	1 h 9 min	52 min	41 min	34 min	28 min
ME24	679	22 h 38 min	11 h 19 min	5 h 39 min	3 h 46 min	2 h 50 min	2 h 16 min	1 h 53 min	1 h 25 min	1 h 8 min	57 min	45 min
MB08	232	7 h 44 min	3 h 52 min	1 h 56 min	1 h 17 min	58 min	46 min	39 min	29 min	23 min	19 min	16 min
MC13	354	11 h 48 min	5 h 54 min	2 h 57 min	1 h 58 min	1 h 29 min	1 h 11 min	59 min	44 min	35 min	30 min	24 min
MD22	604	20 h 8 min	10 h 4 min	5 h 2 min	3 h 21 min	2 h 31 min	2 h 1 min	1 h 41 min	1 h 16 min	1 h	50 min	40 min
ME36	992	33 h 4 min	16 h 32 min	8 h 16 min	5 h 31 min	4 h 8 min	3 h 18 min	2 h 45 min	2 h 4 min	1 h 39 min	1 h 23 min	1 h 6 min

GUÍA PARA LA SOLUCIÓN DE PROBLEMAS

Estación UltraFill

Problema	Causa posible	Solución
El interruptor de potencia está encendido pero ningún LED está iluminado.	El dispositivo no está conectado a un tomacorriente o hay una falla en el suministro eléctrico.	Revise el tomacorriente y verifique que el dispositivo esté enchufado.
El cilindro está conectado pero ningún LED azul está iluminado.	El cilindro no está conectado correctamente.	Presione el botón para desconectar el cilindro y sáquelo. Verifique que no haya ninguna obstrucción en la conexión de llenado de cilindros. Intente conectar el cilindro nuevamente presionando firmemente hacia abajo. NO LUBRIQUE LA CONEXIÓN DEL CILINDRO CON GRASA O ACEITE. Si el problema persiste, comuníquese con su proveedor de servicios médicos.
El cilindro está conectado y al menos un LED de color azul está iluminado, pero no comienza a llenarse.	El cilindro no está conectado correctamente. Falla de una pieza interna.	Presione el botón para desconectar el cilindro y sáquelo. Verifique que no haya ninguna obstrucción en la conexión de llenado de cilindros. Intente conectar el cilindro nuevamente presionando firmemente hacia abajo. NO LUBRIQUE LA CONEXIÓN DEL CILINDRO CON GRASA O ACEITE. Si el problema persiste, comuníquese con su proveedor de servicios médicos.
El LED de color amarillo parpadea acompañado de un pitido periódico.	Baja presión de oxígeno. Es posible que la válvula del cilindro esté abierta. (Sólo se aplica a los casos en que no se ha conectado un OCD/regulador).	Presione el botón de inicio/parada. Verifique que el concentrador de oxígeno y el dispositivo UltraFill estén conectados correctamente. Verifique que las mangueras no estén torcidas ni obstruidas. Si el OCD/regulador no está conectado al cilindro, verifique que la válvula del cilindro esté cerrada. Si el problema persiste, comuníquese con su proveedor de servicios médicos.
El LED de color amarillo está iluminado.	El dispositivo UltraFill ha detectado baja pureza en el oxígeno.	Presione el botón de inicio/parada. Revise el medidor de flujo del concentrador y compruebe que el flujo sea inferior o igual a 3 lpm (concentrador de 5 litros) o inferior o igual a 7 lpm (concentrador de 10 litros). Espere 5 minutos y presione el botón de inicio/parada. Si el problema persiste, comuníquese con su proveedor de servicios médicos.

Problema	Causa posible	Solución
<p>El LED de color amarillo está iluminado, el LED de color rojo parpadea y la alarma sonora suena constantemente.</p>	<p>La pureza promedio del O₂ en el cilindro es inferior al 90%.</p>	<p>Presione el botón de parada. Desconecte el cilindro del dispositivo y vacíelo. No utilice el cilindro. Revise el medidor de flujo del concentrador y compruebe que el flujo sea inferior o igual a 3 lpm (concentrador de 5 litros) o inferior o igual a 7 lpm (concentrador de 10 litros). Espere 5 minutos. Coloque un cilindro nuevo y presione el botón de inicio.</p> <p>Si el problema persiste, comuníquese con su proveedor de servicios médicos.</p>
<p>El LED de color rojo está iluminado y la alarma sonora suena permanentemente.</p>	<p>El dispositivo ha detectado un funcionamiento incorrecto del sistema.</p>	<p>Apague el dispositivo y espere 5 minutos. Reinicie el dispositivo.</p> <p>Si el problema persiste, comuníquese con su proveedor de servicios médicos.</p>
<p>Un LED de color azul se ilumina de manera intermitente pero la presión del cilindro no aumenta.</p>	<p>Falla de una pieza interna. Es posible que la válvula del cilindro esté abierta. (Sólo se aplica a los casos en que no se ha conectado un OCD/regulador).</p>	<p>Presione el botón para desconectar el cilindro y sáquelo. Verifique que no haya ninguna obstrucción en la conexión de llenado de cilindros.</p> <p>NO LUBRIQUE LA CONEXIÓN DEL CILINDRO CON GRASA O ACEITE.</p> <p>Si el OCD/regulador no está conectado al cilindro, asegúrese de que la válvula del cilindro esté cerrada. Vuelva a conectar el cilindro.</p> <p>Presione el botón de inicio.</p> <p>Si el problema persiste, comuníquese con su proveedor de servicios médicos.</p>

Cilindro con conservador o regulador

Si su cilindro no funciona correctamente, consulte la siguiente tabla, donde encontrará posibles soluciones. Si su problema no aparece en la lista siguiente, comuníquese con su proveedor de servicios médicos. No intente realizar procedimientos de mantenimiento diferentes de los que se detallan más abajo.

Problema	Causa probable
El cilindro no produce pulsaciones cuando lo utilizo.	<p>Verifique que la cánula esté ajustada correctamente en la nariz y que no se haya desplazado hacia un costado.</p> <p>Cierre la boca y respire sólo por la nariz. Si el dispositivo portátil continúa sin enviar pulsaciones, pruebe con los siguientes pasos:</p> <ul style="list-style-type: none"> - Compruebe si la cánula está rota o tiene un estrangulamiento, lo que podría interrumpir el flujo de aire. - Asegúrese de que la conexión entre la cánula y el cilindro esté bien fija. - Si existe humedad en la cánula, cámbiela por una cánula seca. - Verifique que haya oxígeno en el cilindro. - Verifique que el conservador esté fijado en el valor indicado por su médico. <p>Si es necesario realizar algún otro ajuste, comuníquese con su proveedor de servicios médicos.</p>
No hay flujo desde el cilindro.	<p>Revise el indicador del nivel de oxígeno para verificar si el cilindro está vacío. Si es así, llénelo.</p> <p>Asegúrese de que el conservador o el regulador estén fijados en el valor indicado por su médico.</p> <p>Si ninguna de estas medidas resuelve el problema, comuníquese con su proveedor de servicios médicos.</p>
El dispositivo produce pulsaciones cuando exhalo.	<p>Compruebe si la cánula está rota o tiene un estrangulamiento que podría interrumpir el flujo.</p> <p>Si es necesario realizar algún otro ajuste, comuníquese con su proveedor de servicios médicos.</p>
Mis tiempos de uso son diferentes de los que aparecen en el manual.	<p>Es normal que haya una pequeña variación con respecto a los valores que aparecen en este manual. Sin embargo, si sus tiempos son demasiado diferentes de los que aparecen en este manual, es posible que haya alguna pérdida. Si usted utiliza una dosis por pulso, posiblemente esté utilizando un conservador con un porcentaje de conservación diferente. Comuníquese con su proveedor de servicios médicos.</p>

LIMPIEZA Y MANTENIMIENTO

Limpieza

Advertencia: antes de limpiar la caja protectora de la estación UltraFill, desconecte el cable de alimentación del tomacorriente eléctrico.

Advertencia: no utilice productos a base de grasa, aceite o petróleo en esta unidad o cerca de ella.

La caja protectora externa de la estación UltraFill se puede limpiar con un detergente suave de uso doméstico y un paño o una esponja humedecidos. Evite el uso de grandes cantidades de agua para limpiar la unidad y no utilice agentes limpiadores o solventes a base de petróleo.

Seque el dispositivo completamente con un paño después de haberlo limpiado.



Mantenimiento

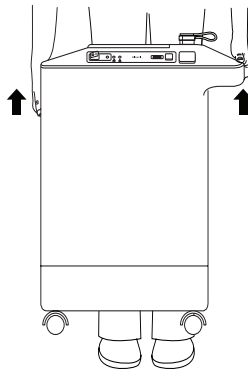
La estación UltraFill no requiere mantenimiento periódico. La unidad UltraFill contiene un filtro antibacteriano en su interior, el cual se puede cambiar a criterio del proveedor.

CÓMO TRANSPORTAR EL SISTEMA ULTRAFILL

Advertencia: para evitar una caída accidental, no intente mover el dispositivo UltraFill cuando esté conectado a un cilindro.

Durante el funcionamiento, el dispositivo debe estar en posición vertical, con las cuatro ruedas tocando el piso.

Para levantar el dispositivo UltraFill, utilice las asas que se encuentran a los costados (vea la ilustración). El dispositivo se puede trasladar con cualquier orientación. Antes de transportarlo, verifique que la tapa protectora cubra el conector del cilindro de oxígeno.



ESPECIFICACIONES

Ambientales

	Operativas	Transporte y almacenamiento
Temperatura:	Entre 12 °C y 32 °C	Entre -20 °C y 60 °C
Humedad relativa:	20 a 90% sin condensación	15 a 95% sin condensación

Físicas

Altura:	64,8 cm
Peso:	20,4 kg

Eléctricas

Voltaje nominal:	120V CA, 60 Hz
Alimentación:	110W
Amperios:	1,0 A a 120V

Cumplimiento de normativas

Este dispositivo se ha diseñado de conformidad con las normativas siguientes:

- IEC 60601-1, segunda edición - Equipos médicos eléctricos, Parte 1: requisitos generales de seguridad (más las desviaciones nacionales)
- CEI 60601-1-2: 2001: equipos médicos eléctricos – Parte 1-2: requisitos generales de seguridad. Norma secundaria: Compatibilidad electromagnética – Requisitos y pruebas.

Clasificación IEC 60601-1

- Grado de protección contra descargas eléctricas: clase II
- Pieza aplicada de tipo B
- Protección contra la entrada de líquidos: IPX1
- Funcionamiento continuo

Especificaciones del cilindro

Operativas

Temperatura: entre 5 °C y 40 °C
 Humedad relativa: 0 a 90% sin condensación

Transporte y almacenamiento

entre -20 °C y 54 °C
 0 a 90% sin condensación

Tamaño del cilindro	Volumen (litros)	Tiempos de llenado normales	Peso vacío	Dimensiones	Rango operativo de la presión del tanque
135 bar					
M4	103	45 min	1,3 kg	81 mm x 324 mm (profundidad x largo)	14 a 138 bar
M6	148	1 h 5 min	1,4 kg	81 mm x 395 mm (profundidad x largo)	
M9	246	1 h 50 min	2,1 kg	112 mm x 365 mm (profundidad x largo)	
MD15	413	3 h 5 min	2,7 kg	112 mm x 507 mm (profundidad x largo)	
ME24	679	5 h	3,9 kg	112 mm x 735 mm (profundidad x largo)	
200 bar					
MB08	232	1 h 45 min	1,4 kg	81 mm x 395 mm (profundidad x largo)	14 a 207 bar
MCI3	354	2 h 35 min	2,3 kg	112 mm x 365 mm (profundidad x largo)	
MD22	604	4 h 25 min	3 kg	112 mm x 509 mm (profundidad x largo)	
ME36	992	7 h 20 min	4,45 kg	112 mm x 738 mm (profundidad x largo)	

Desecho de la unidad

Cuando sea necesario, deseche el dispositivo según las normativas locales.

INFORMACIÓN SOBRE COMPATIBILIDAD ELECTROMAGNÉTICA

GUÍA Y DECLARACIÓN DEL FABRICANTE CON RESPECTO A EMISIONES ELECTROMAGNÉTICAS: el uso de este dispositivo está previsto en el entorno electromagnético que se describe a continuación. El usuario de este dispositivo debe asegurarse de que se utilice en dicho entorno.


PRUEBA DE EMISIONES	CUMPLIMIENTO	GUÍA CON RESPECTO AL ENTORNO ELECTROMAGNÉTICO
Emisiones de RF CISPR 11	Grupo 1	El dispositivo sólo utiliza energía de RF para su funcionamiento interno. Por consiguiente, las emisiones de RF son muy bajas y es poco probable que causen interferencias en los equipos electrónicos cercanos.
Emisiones de RF CISPR 11	Clase B	El dispositivo es adecuado para utilizarse en todo tipo de establecimiento, incluidos los establecimientos domésticos y los conectados directamente a la red pública de suministro eléctrico de bajo voltaje que abastece a edificios utilizados con fines domésticos.
Emisiones armónicas IEC 61000-3-2	No disponible	No se exigen pruebas para los dispositivos que funcionan con 115V CA y 60 Hz.
Fluctuaciones de voltaje/parpadeos IEC 61000-3-3	No disponible	

GUÍA Y DECLARACIÓN DEL FABRICANTE CON RESPECTO A INMUNIDAD ELECTROMAGNÉTICA: el uso previsto de este dispositivo se limita al entorno electromagnético que se describe a continuación. El usuario de este dispositivo debe asegurarse de que se utilice en dicho entorno.

PRUEBA DE INMUNIDAD	NIVEL DE PRUEBA IEC 60601	NIVEL DE CUMPLIMIENTO	ENTORNO ELECTROMAGNÉTICO - GUÍA ORIENTATIVA
Descarga electrostática (ESD) IEC 61000-4-2	±6 kV por contacto ±8 kV por aire	±6 kV por contacto ±8 kV por aire	El piso debe ser de madera, cemento o baldosas cerámicas. Si el piso está revestido de material sintético, la humedad relativa deberá ser del 30% como mínimo.
Transitorios eléctricos rápidos/ descarga IEC 61000-4-4	±2 kV para líneas de alimentación	±2 kV para redes de suministro eléctrico	La calidad de la red de suministro debe ser la de un entorno doméstico u hospitalario habitual.
Sobrevoltaje IEC 61000-4-5	±1 kV entre líneas	±1 kV entre líneas	La calidad de la red de suministro debe ser la de un entorno doméstico u hospitalario habitual.
Caidas de voltaje, interrupciones breves y variaciones de voltaje en las líneas de entrada de la fuente de alimentación IEC 61000-4-11	<5% U_T (>95% de caída en U_T) durante 0,5 ciclos 40% U_T (60% de caída en U_T) durante 5 ciclos 70% U_T (30% de caída en U_T) durante 25 ciclos <5% U_T (>95% de caída en U_T) durante 5 segundos	<5% U_T (>95% de caída en U_T) durante 0,5 ciclos 40% U_T (60% de caída en U_T) durante 5 ciclos 70% U_T (30% de caída en U_T) durante 25 ciclos <5% U_T (>95% de caída en U_T) durante 5 segundos	La calidad de la red de suministro debe ser la de un entorno privado u hospitalario habitual. Si el usuario del dispositivo requiere un funcionamiento continuo durante las interrupciones del suministro eléctrico, se recomienda utilizar el dispositivo con una fuente de alimentación ininterrumpida.
Campo magnético de la frecuencia (60 Hz) de la red eléctrica IEC 61000-4-8	3 A/m	3 A/m	Los campos magnéticos de la frecuencia de la alimentación deben tener los niveles característicos de un entorno doméstico u hospitalario habitual.

Nota: U_T es el voltaje de la red de CA antes de aplicar el nivel de prueba.

GUÍA Y DECLARACIÓN DEL FABRICANTE CON RESPECTO A INMUNIDAD ELECTROMAGNÉTICA: el uso previsto de este dispositivo se limita al entorno electromagnético que se describe a continuación. El usuario del dispositivo debe garantizar su utilización en dicho entorno.

PRUEBA DE INMUNIDAD	NIVEL DE PRUEBA IEC 60601	NIVEL DE CUMPLIMIENTO	GUÍA CON RESPECTO AL ENTORNO ELECTROMAGNÉTICO
RF conducida IEC 61000-4-6 RF irradiada IEC 61000-4-3	3Vrms 150 kHz a 80 MHz 3V/m 80 MHz a 2,5 GHz	3V 3V/m	<p>Los equipos de comunicación portátiles y móviles que utilizan RF no se deben usar cerca de ningún componente del dispositivo, incluidos los cables, a una distancia que sea inferior a la recomendada y calculada a partir de la ecuación correspondiente a la frecuencia del transmisor.</p> <p>Distancia de separación recomendada:</p> <p>$d = 1,2 \sqrt{P}$ 150 kHz a 80 MHz</p> <p>$d = 1,2 \sqrt{P}$ 80 MHz a 800 MHz</p> <p>$d = 2,3 \sqrt{P}$ 800 MHz a 2,5 GHz</p> <p>donde P es la potencia nominal de salida máxima del transmisor; expresada en vatios (W), según el fabricante del transmisor; y d es la distancia recomendada expresada en metros (m).</p> <p>Las intensidades de campo de los transmisores de RF fijos, determinadas mediante un estudio electromagnético del emplazamiento a, deben ser inferiores al nivel de conformidad correspondiente a cada intervalo de frecuencias b.</p> <p>Puede haber interferencias en la cercanía de los equipos que llevan el siguiente símbolo: </p>
<p>Nota 1: a 80 MHz y 800 MHz, se aplica el rango de frecuencia superior.</p> <p>Nota 2: es posible que estas pautas no se apliquen a todas las situaciones. La propagación electromagnética se ve afectada por la absorción y reflexión de estructuras, objetos y personas.</p> <p>a: no se puede prever teóricamente con precisión la intensidad de campo de los transmisores fijos, por ejemplo las estaciones de base de los radiotéléfonos (celulares o inalámbricos) y los equipos terrestres de radio móvil, los equipos de radioaficionados, las radiodifusoras de AM y FM, y las emisoras de televisión. Para evaluar el entorno electromagnético creado por los transmisores fijos de RF, se deberá realizar un estudio electromagnético del emplazamiento. Si la intensidad de campo medida en el lugar en el que se utiliza el dispositivo excede el nivel de conformidad correspondiente a RF que se indica más arriba, el dispositivo deberá revisarse para verificar si su funcionamiento es normal. Si se observa un funcionamiento anormal, es posible que haya que tomar medidas adicionales, como reorientar y reubicar el dispositivo.</p> <p>b: en el intervalo de frecuencias de 150 kHz a 80 MHz, las intensidades de campo deben ser inferiores a 3V/m.</p>			

Distancias de separación recomendadas entre este dispositivo y los equipos de comunicación portátiles y móviles mediante RF: el uso del dispositivo está previsto en un entorno electromagnético donde las perturbaciones originadas por RF irradiada se encuentran controladas. El usuario de este dispositivo puede contribuir a impedir la interferencia electromagnética manteniendo una distancia mínima entre este dispositivo y los equipos de comunicación (transmisores) portátiles o móviles que utilizan RF; para ello debe proceder como se recomienda a continuación, en función de la potencia de salida máxima del equipo de comunicación.

POTENCIA DE SALIDA MÁXIMA NOMINAL DEL TRANSMISOR (W)	DISTANCIA DE SEPARACIÓN SEGÚN LA FRECUENCIA DEL TRANSMISOR (m)		
	150 kHz a 80 MHz $d = 1,2 \sqrt{P}$	80 MHz a 800 MHz $d = 1,2 \sqrt{P}$	800 MHz a 2,5 GHz $d = 2,3 \sqrt{P}$
0,01	0,12	0,12	0,23
0,1	0,38	0,38	0,73
1	1,2	1,2	2,3
10	3,8	3,8	7,3
100	12	12	23

Para los transmisores que tienen una potencia de salida máxima nominal que no figura arriba, la distancia de separación recomendada d en metros (m) se puede calcular mediante la ecuación correspondiente a la frecuencia del transmisor, donde P es la potencia de salida máxima nominal del transmisor en vatios (W) según el fabricante del transmisor.

Nota 1: a 80 MHz y 800 MHz, se aplica la distancia de separación correspondiente al intervalo de frecuencia superior.

Nota 2: es posible que estas pautas no se apliquen a todas las situaciones. La propagación electromagnética se ve afectada por la absorción y reflexión de estructuras, objetos y personas.

GARANTÍA LIMITADA

Respironics, Inc. (“Respironics”) garantiza el sistema UltraFill (el “Producto”) según lo que se estipula en los párrafos siguientes.

Respironics garantiza que, a menos que se indique aquí lo contrario, la unidad UltraFill no presenta defectos en materiales ni en mano de obra si se utiliza de manera normal y correcta, y siempre que se le dé el mantenimiento adecuado según las instrucciones correspondientes, durante un plazo de tres (3) años o cinco mil (5000) horas (el plazo que se cumpla primero) a partir de la fecha de envío por parte de Respironics al comprador original (el “Período de garantía”).

Respironics garantiza que, a menos que se indique aquí lo contrario, el cilindro y la válvula posterior no presentan defectos en materiales ni en mano de obra si se utilizan de manera normal y correcta, y siempre que se les dé el mantenimiento adecuado según las instrucciones correspondientes, durante un plazo de tres (3) años a partir de la fecha de envío por parte de Respironics al comprador original (el “Período de garantía”).

Limitaciones

Si algún Producto comprado a Respironics no cumpliera con lo aquí garantizado durante el Período de garantía, según lo determine Respironics a su exclusivo criterio, Respironics podrá reparar o reemplazar el Producto para cumplir con su obligación de garantía, lo cual será a exclusivo criterio de Respironics. Esto se puede realizar mediante la instalación de ensamblajes o componentes nuevos o reparados, o mediante otras reparaciones que se estimen necesarias a exclusivo criterio de Respironics. La elección de reparar o reemplazar por parte de Respironics será la única y exclusiva compensación para el comprador original. Respironics se reserva el derecho, a su exclusivo criterio, de reembolsar el precio de compra en lugar de reparar o reemplazar el Producto. Bajo ninguna circunstancia, la responsabilidad máxima de Respironics en virtud de estas garantías excederá el precio pagado a Respironics por el comprador original del Producto.

Condiciones

Esta garantía no cubre daños sufridos por el Producto o por bienes personales ni tampoco daños o lesiones sufridos por personas a causa de accidentes, uso incorrecto, abuso, negligencia, incumplimiento de las instrucciones de instalación de Respironics, incumplimiento de las condiciones de uso normales y de los términos y las instrucciones del manual de funcionamiento, falta de mantenimiento del producto según los manuales de mantenimiento correspondientes, o alteraciones o defectos no relacionados con los materiales o la fabricación del Producto.

Esta garantía no cubre los daños que puedan producirse durante el envío. Esta garantía no se aplica a aquellos Productos o partes individuales de un Producto que hayan sido reparados o modificados por cualquier persona que no pertenezca a Respironics ni a un centro de servicio técnico de Respironics autorizado. Esta garantía no se aplica a ningún Producto que no se haya comprado nuevo.

Exclusiones de las garantías

A EXCEPCIÓN DE LO ESTIPULADO EN ESTA GARANTÍA LIMITADA, RESPIRONICS NO OFRECE GARANTÍAS, DE FORMA EXPRESA O IMPLÍCITA, POR LEY O DE OTRO MODO, EN RELACIÓN CON EL PRODUCTO, SU CALIDAD O SU RENDIMIENTO. RESPIRONICS DENIEGA ESPECÍFICAMENTE LA GARANTÍA IMPLÍCITA DE COMERCIABILIDAD Y LA GARANTÍA IMPLÍCITA DE ADECUACIÓN PARA UN FIN DETERMINADO. BAJO NINGUNA CIRCUNSTANCIA RESPIRONICS SERÁ RESPONSABLE DEL COSTO DE LA COMPRA DE PRODUCTOS DE SUSTITUCIÓN O POR DAÑOS

INDIRECTOS, ESPECIALES, EMERGENTES, PUNITIVOS, EJEMPLARES O INCIDENTALES (INCLUSIVE, A MODO DE EJEMPLO, PÉRDIDAS COMERCIALES O PÉRDIDAS DE INGRESOS), POR NINGUNA CAUSA DE DEMANDA, CONTRACTUAL O EXTRA CONTRACTUAL, E INDEPENDIENTEMENTE DE QUE RESPIRONICS HAYA ESTADO AL TANTO, O DEBIERA HABER ESTADO AL TANTO, DE LA POSIBILIDAD DE QUE SE PRODUJERAN ESTOS DAÑOS. A EXCEPCIÓN DE LAS OBLIGACIONES QUE CONTEMPLA ESTA GARANTÍA LIMITADA, RESPIRONICS NO TENDRÁ NINGUNA OBLIGACIÓN NI RESPONSABILIDAD POR NINGUNA OTRA PÉRDIDA,

DAÑO O LESIÓN QUE SEAN RESULTADO DIRECTO O INDIRECTO DEL PRODUCTO. LA ÚNICA Y EXCLUSIVA COMPENSACIÓN DEL COMPRADOR POR EL INCUMPLIMIENTO DE LAS GARANTÍAS ESTABLECIDAS EN EL PRESENTE DOCUMENTO SE HA ESTIPULADO EN EL PÁRRAFO QUE DESCRIBE LAS LIMITACIONES.

Para ejercer sus derechos en virtud de esta garantía, póngase en contacto con el distribuidor local autorizado de Respironics, Inc. o con Respironics, Inc. en:

Respironics, Inc.
1001 Murry Ridge Lane
Murrysville, PA 15668 EE. UU.

Respironics Deutschland
Gewerbstrasse 17
82211 Herrsching, Alemania