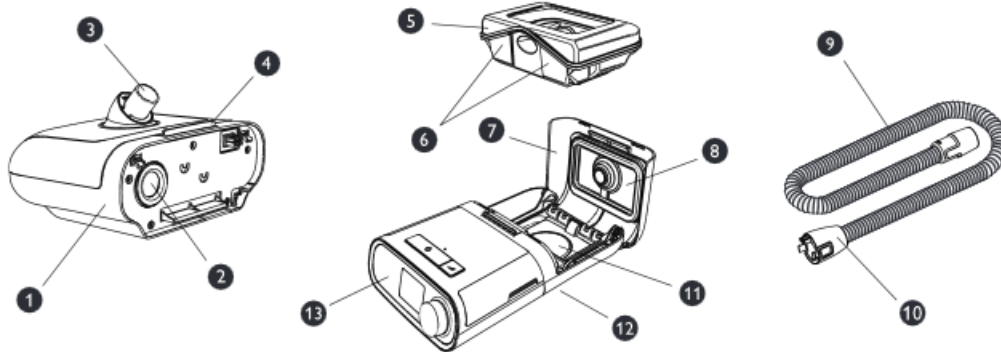


## System Features and Contents

**Important:** Read and understand the entire manual for your therapy device before attempting to use this humidifier.



This figure illustrates many of the device features and contents, described in the following table.

#	Device Feature	Description
1	Humidifier	Connect your therapy device here.
2	Air Inlet Port	Connects to the outlet port on the therapy device.
3	Air Outlet Port	Connect the tubing here.
4	Humidifier Lid Release Latch	Slide this latch to open the humidifier lid.
5	Water Tank	This one piece removable water tank holds the water for humidification.
6	Maximum Fill Lines	The fill lines indicates the maximum water level for safe operation.
7	Humidifier Lid	Open the lid to access the water tank.
8	Humidifier Lid Seal	Seals the water tank to the humidifier lid.
9	Flexible Heated Tubing (optional)	The optional heated tube connects from the humidifier to the patient's mask.
10	Humidifier Connector End	Connect this end of the tubing to the humidifier.
11	Heater Plate	Warms the water in the water tank.
12	Humidifier Release Button	Press this button to remove the humidifier from the therapy device. Refer to the "Disconnecting the Therapy Device" section of this manual to see this button.
13	Therapy Device	The heated humidifier connects to the back of the therapy device.

**Note:** This humidifier is specified for use with Philips Respironics DreamStation therapy devices only.

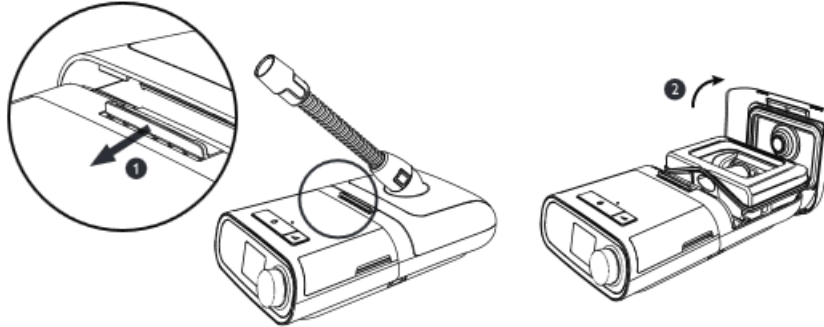
## How to Contact Philips Respironics


Should you experience trouble with this equipment or require assistance setting up, using, or maintaining the device or accessories, please contact your home care provider. If you need to contact Philips Respironics directly, call the Philips Respironics Customer Service department at 1-800-345-6443 or 1-724-387-4000. You can also use the following address:

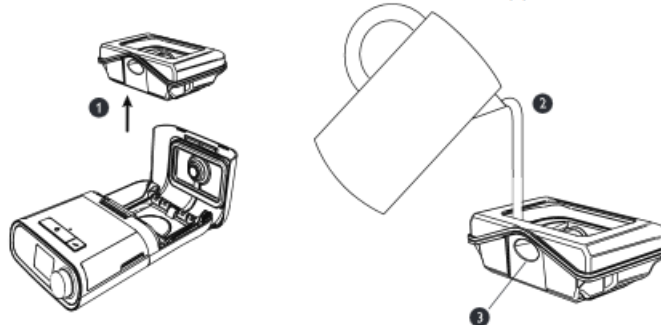
Respironics, Inc.  
1001 Murry Ridge Lane  
Murrysville, PA 15668

## Daily Use

1. Place the connected therapy device with humidifier on a firm, flat surface lower than your sleeping position.  
**Warning:** The humidifier must always be positioned below the breathing circuit connection at the mask. The humidifier must be level for proper operation.  
**Caution:** Do not place the humidifier directly onto carpet, fabric, or other flammable materials.  
**Caution:** Do not place the device in or on any container that can collect or hold water. Take precautions to protect furniture from water damage.
2. Slide the humidifier lid release latch (1) toward the therapy device. Lift up on the humidifier lid (2) and swing completely open.



3. Remove the tank (1) by grabbing both sides of tank and lifting out of the humidifier base. Rinse the tank with water. Place the tank on a firm, flat surface. Fill the tank with water (2) no higher than the maximum fill line (  ). To avoid spilling, the water level should not rise above the bottom of the tube (3) in the back of the water tank.



**Note:** Clean the water tank before first use. Refer to the “Home Cleaning Instructions: Water Tank” section in this manual.

**Caution:** Do not attempt to fill the tank while it is still inside the humidifier.

**Caution:** Use only room temperature distilled water in the tank. Do not put any chemicals or additives into the water. Possible airway irritation or damage to the water tank may result.

**Caution:** Do not fill the water tank above the maximum fill line. If the water tank is overfilled, water may leak into the therapy device, humidifier, or onto your furniture. Damage to the humidifier or therapy device may occur.

**Warning:** Allow the humidifier heater plate and water to cool down for approximately 15 minutes before removing the water tank. A burn may result from: touching the heater plate, coming in contact with the heated water, or touching the tank pan.